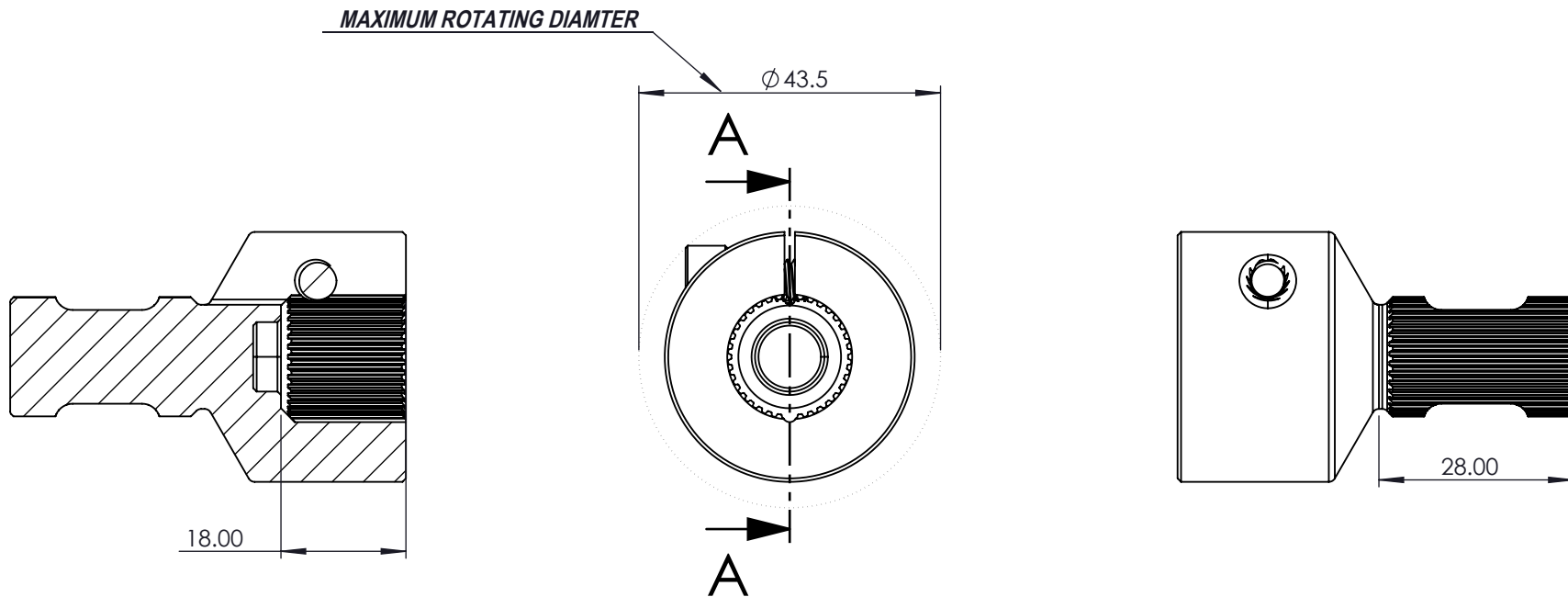


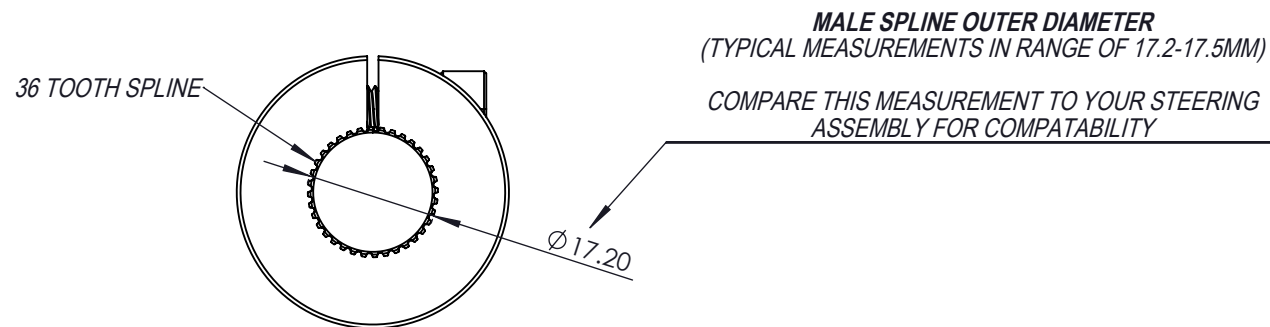
# 40MM-STEX - OVERALL DIMENSIONS



**SECTION A-A**

**FRONT VIEW**

**SIDE VIEW**



**BACK VIEW**