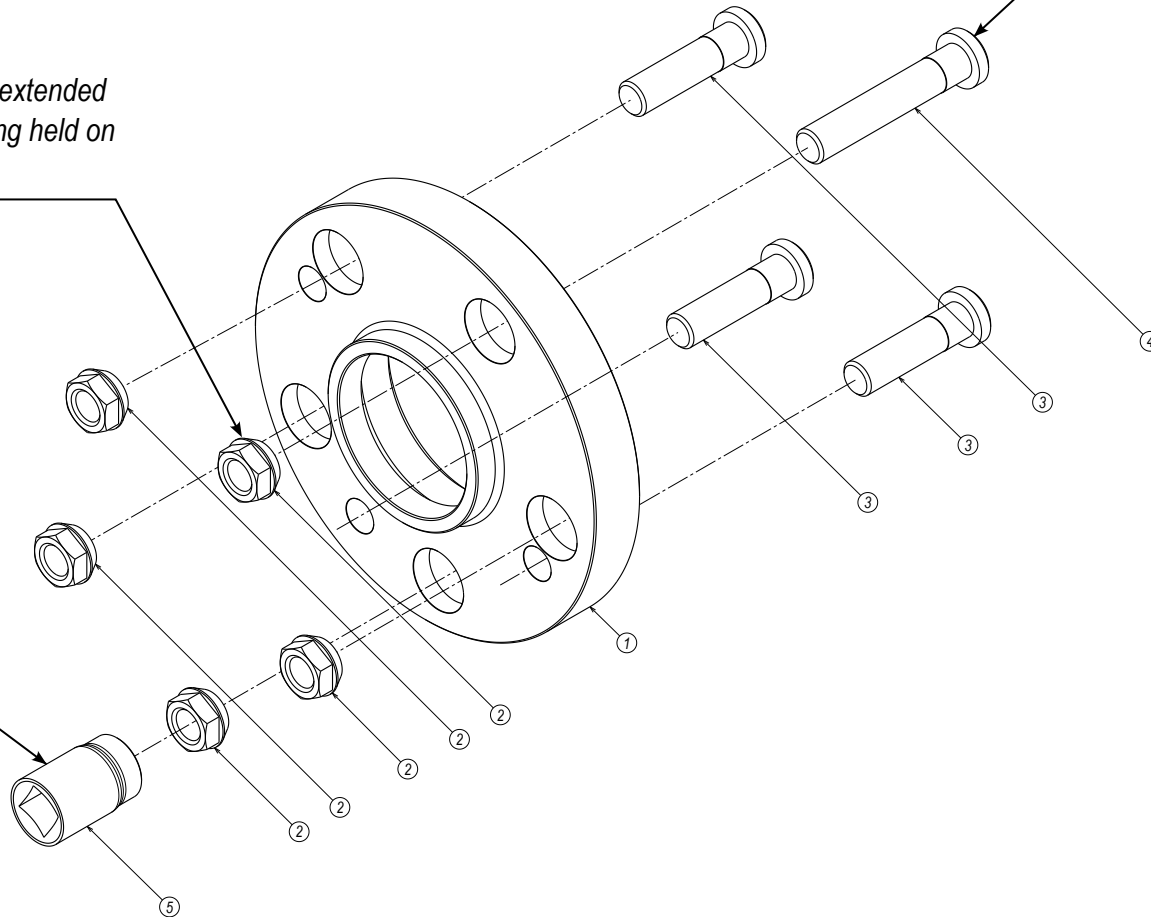


# 5T04-SPCR

Install supplied short wheel nut into extended stud so that the wheel spacer is being held on by ALL 5 supplied nuts.

Replace one OEM wheel stud on the hub with supplied extended stud

Use custom 17mm socket to tighten wheel spacer onto hub.  
**Torque to 115Nm (85 ft.lbs)**



5	THIN 17mm SOCKET FOR 4T05-SPCR	1
4	WHEELSPACER STUD M12x1.25-71	1
3	WHEELSPACER STUD M12x1.25-51	4
2	WHEELNUT 17mm HEX HEAD M12x1.25-11	4
1	CONVERSION SPACER 5x114.3 - 4x114.3 20mm	1
PC NO	PART NAME	QTY