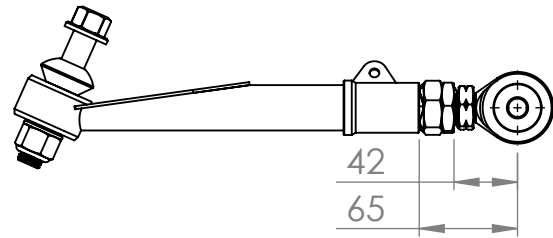
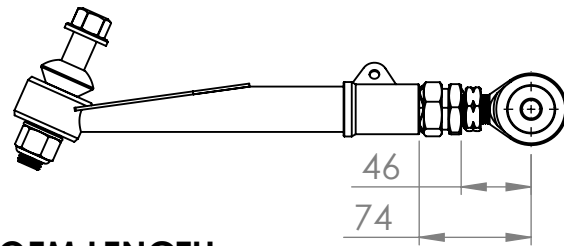


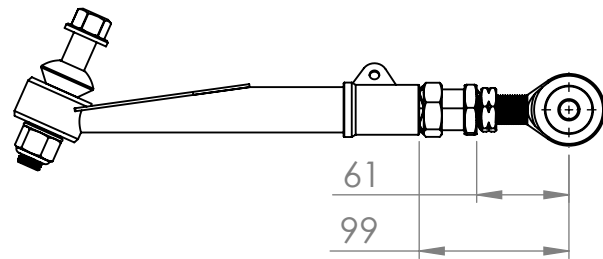
F8XX-FLTA



MINIMUM LENGTH



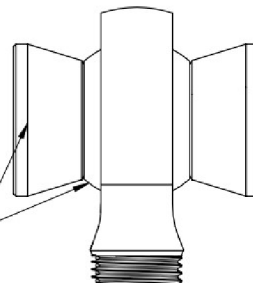
OEM LENGTH



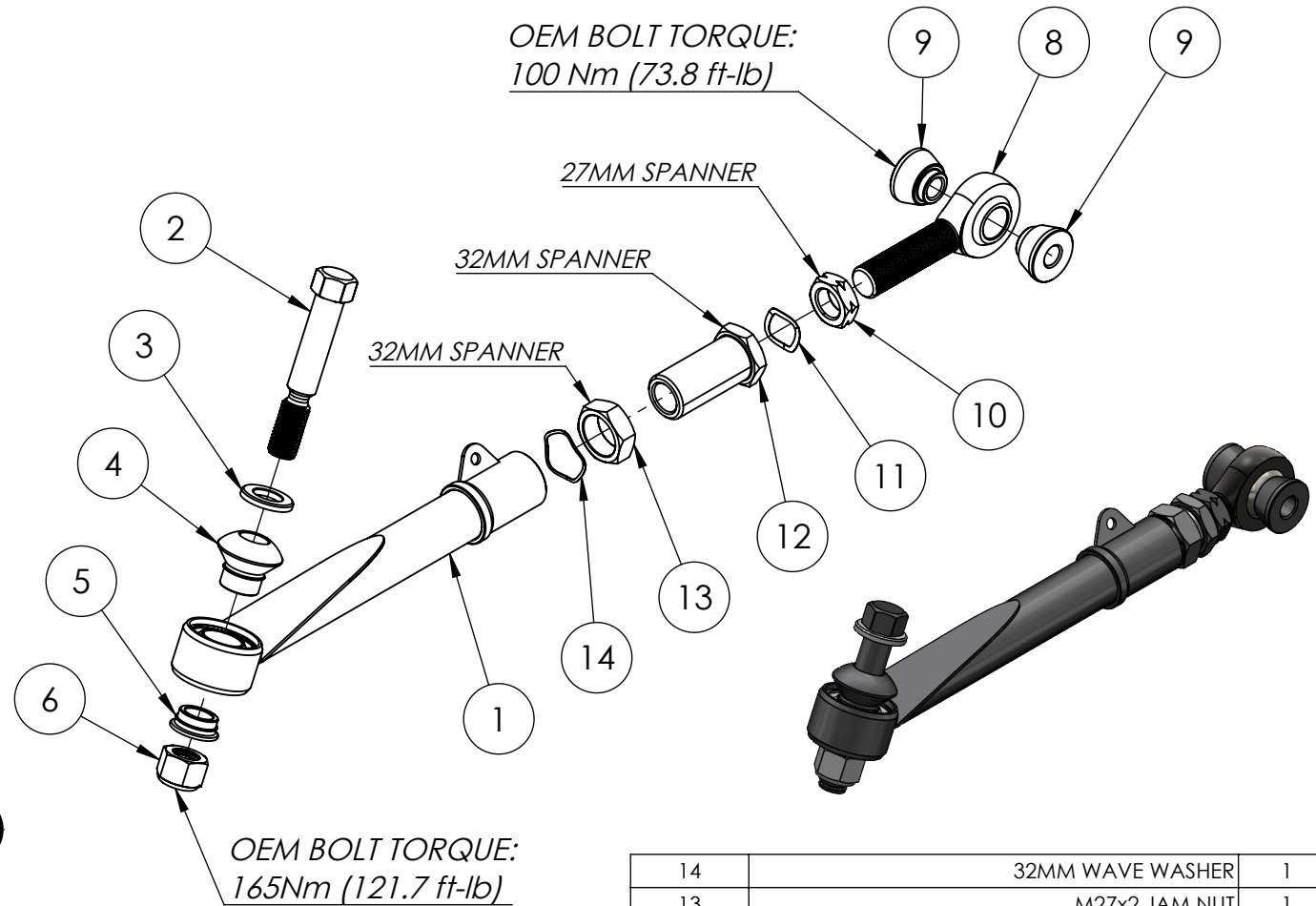
MAXIMUM LENGTH

CRITICAL!

CHECK FOR ROD END BEARING ALIGNMENT AFTER TIGHTENING THE ADJUSTING MECHANISM. ROD END TO BE PERPENDICULAR TO THE SPACERS.



OEM BOLT TORQUE:
100 Nm (73.8 ft-lb)



14	32MM WAVE WASHER	1
13	M27x2 JAM NUT	1
12	VERNIER SLEEVE M27x2 EXT, 3/4-16 UNF LH INT	1
11	27MM WAVE WASHER	1
10	NUT 3/4-16 UNF 3B L/H	1
9	PCMX12T-ES SPACER 12ID 52W	2
8	PCML12T-ES	1
7	PCML12T BOOT	1
6	M16 x 2 LOCKNUT	1
5	HIGH MISALIGNMENT NUT SPACER	1
4	BMW HEMISPHERICAL SPACER ADAPTER	1
3	M16 WASHER	1
2	CUSTOM SHOULDER BOLT	1
1	WELDED OUTER ARM	1
ITEM NO.	DESCRIPTION	QTY.

PARTS LIST: