

GT86-RCIL

1. IN THE DRIVER FOOTWELL, DETACH AND FOLD DOWN THE CARPET TO REVEAL THE FIREWALL.
2. ENSURE THAT THE SOUND TUBE IS REMOVED AND THE REMAINING HOLE IS ACCESSIBLE.
3. ROUTE THE BRAKE LINES THROUGH THE SOUND TUBE HOLE. INSTALL LINES FIRST TO THE HYDRO MASTER CYLINDER, THEN TO THE OEM MASTER CYLINDER AND ABS DELETE BLOCK. TIGHTEN ALL FITTINGS.
4. USE SUPPLIED P-CLIPS SECURE LINES FIRMLY IN THE FOOTWELL SO THEY CANNOT AFFECT PEDAL OPERATION.
5. ONCE INSTALLED, BLEED THE BRAKES AS NORMAL WITH THE FOOT BRAKE.

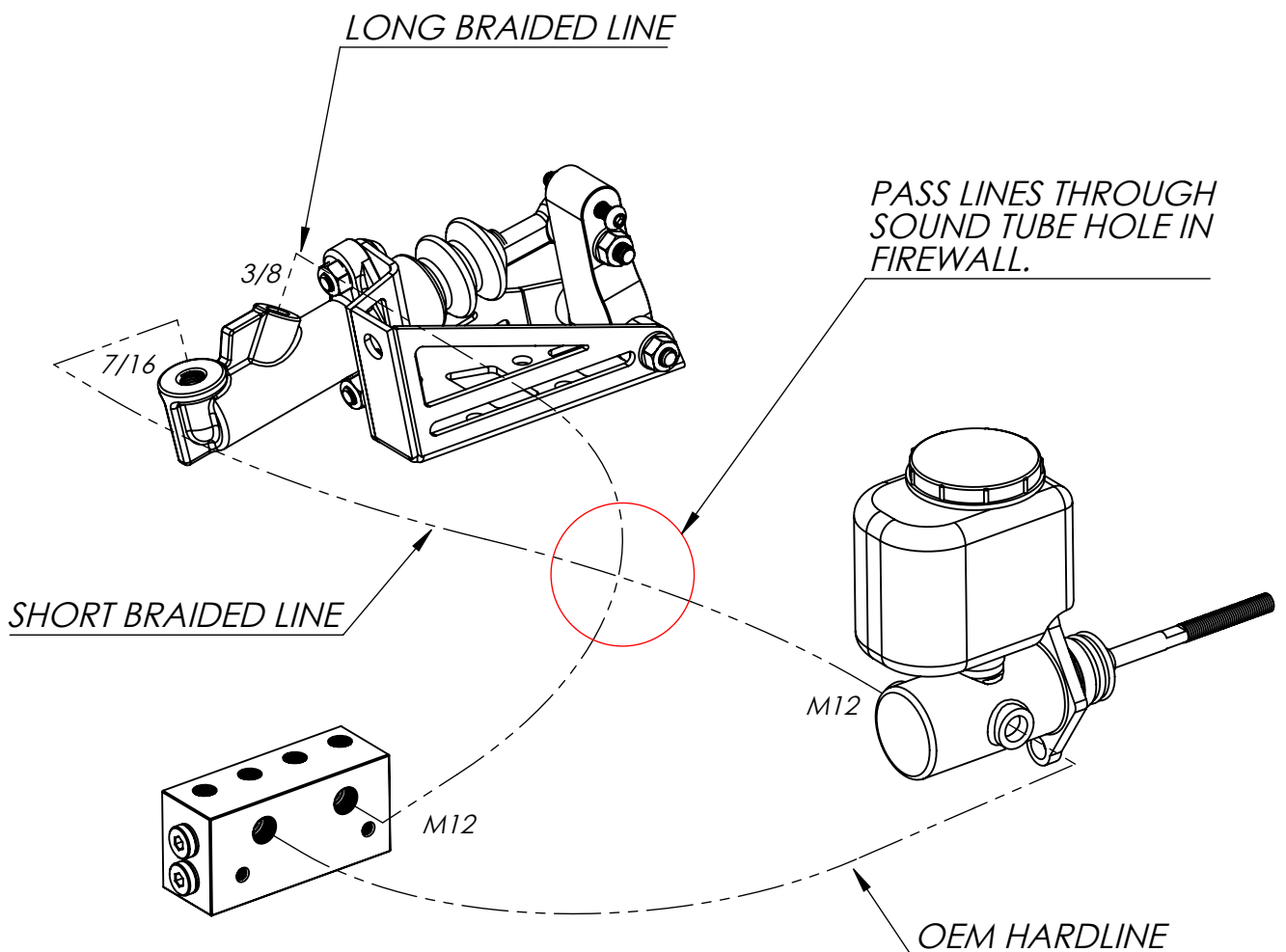


DIAGRAM A