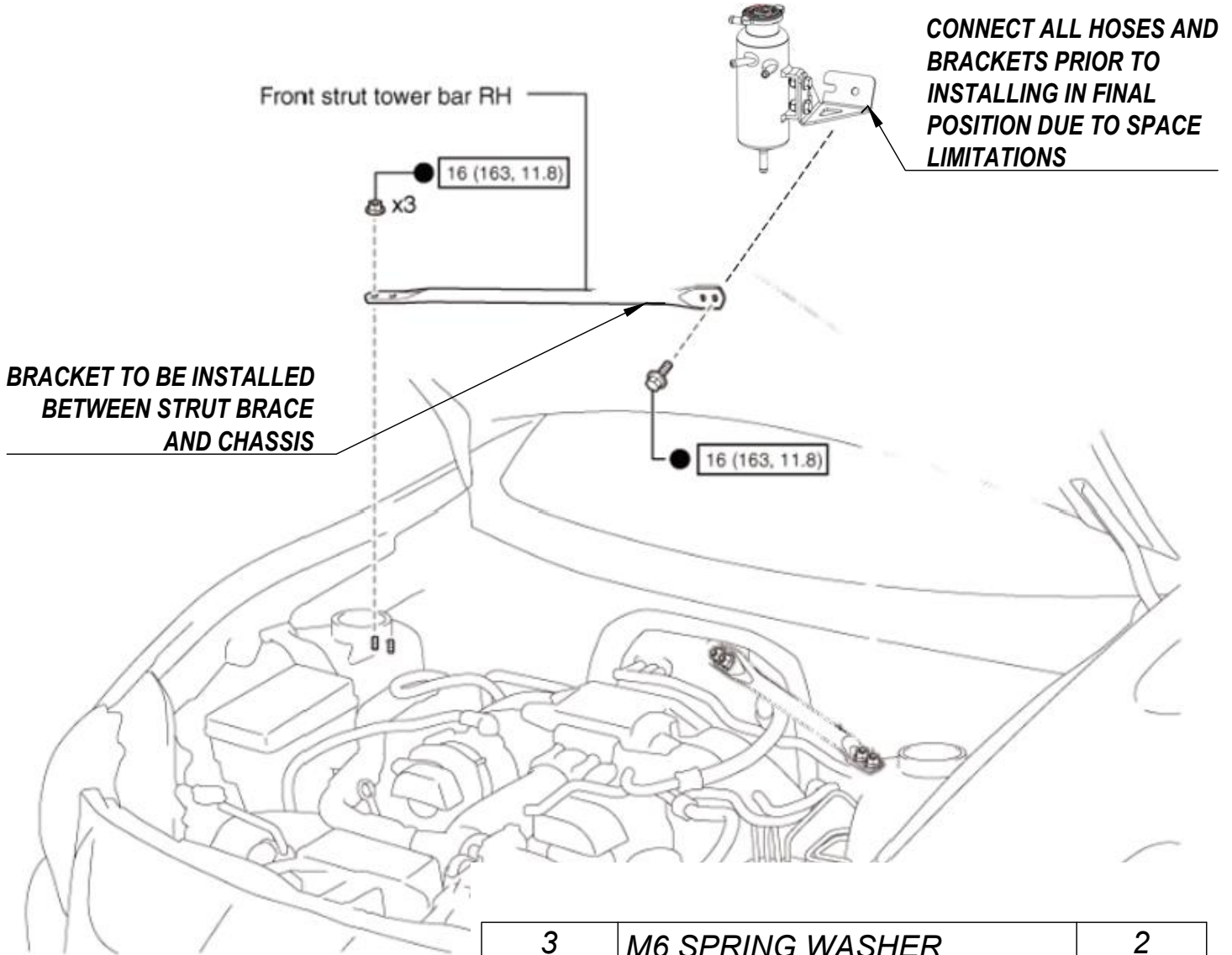
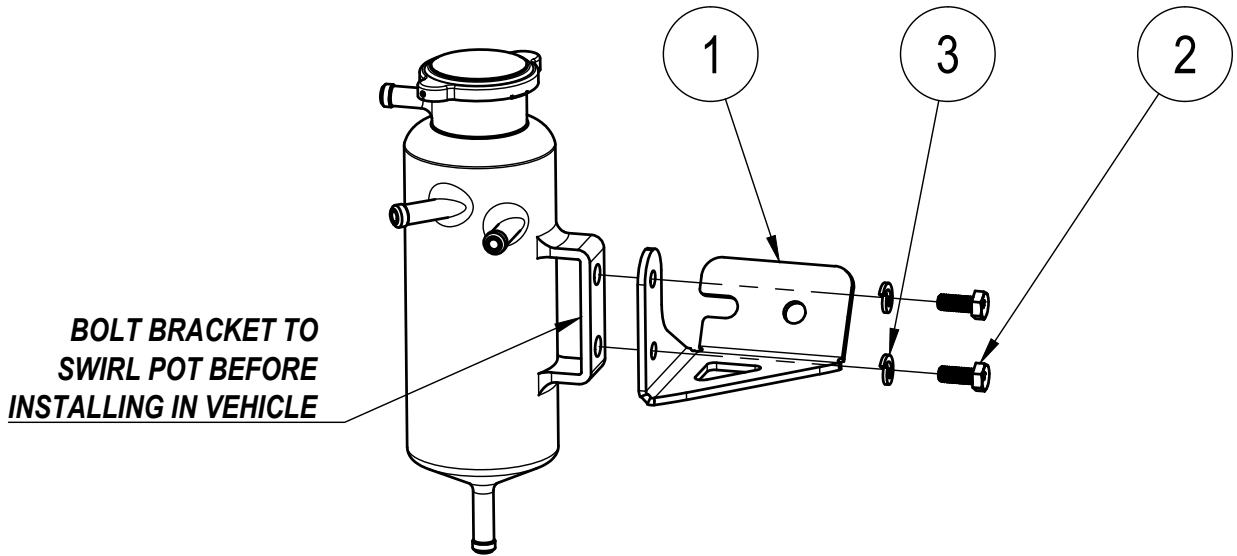


# GT86-SWRL



**N•m {kgf•cm, ft•lbf}** : Tightening torque



3	M6 SPRING WASHER	2
2	M6 x 15 BOLT	2
1	GT86 SWIRL POT BRACKET MOUNT	1
<b>ITEM:</b>	<b>DESCRIPTION:</b>	<b>QTY:</b>
<b>PARTS LIST:</b>		