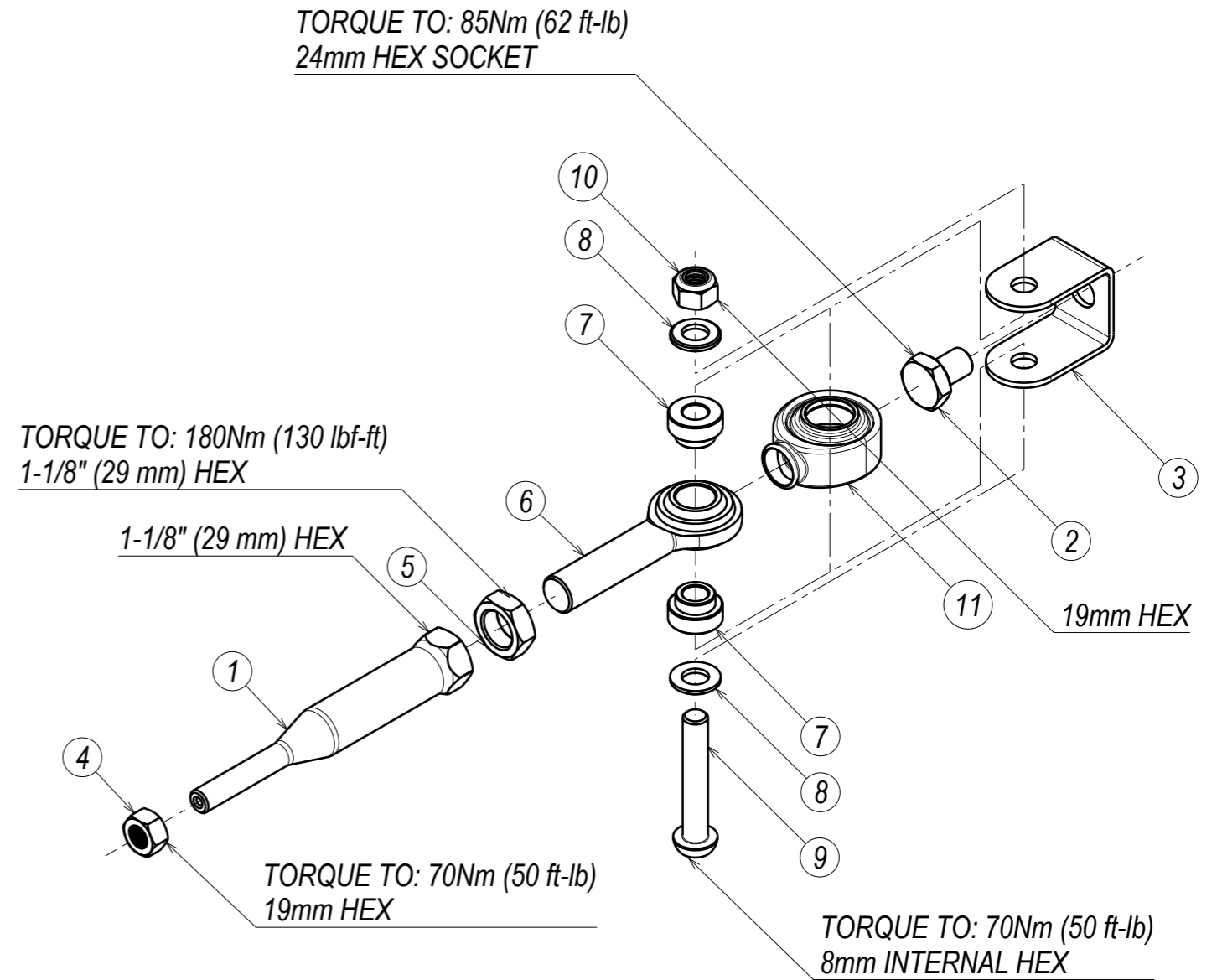
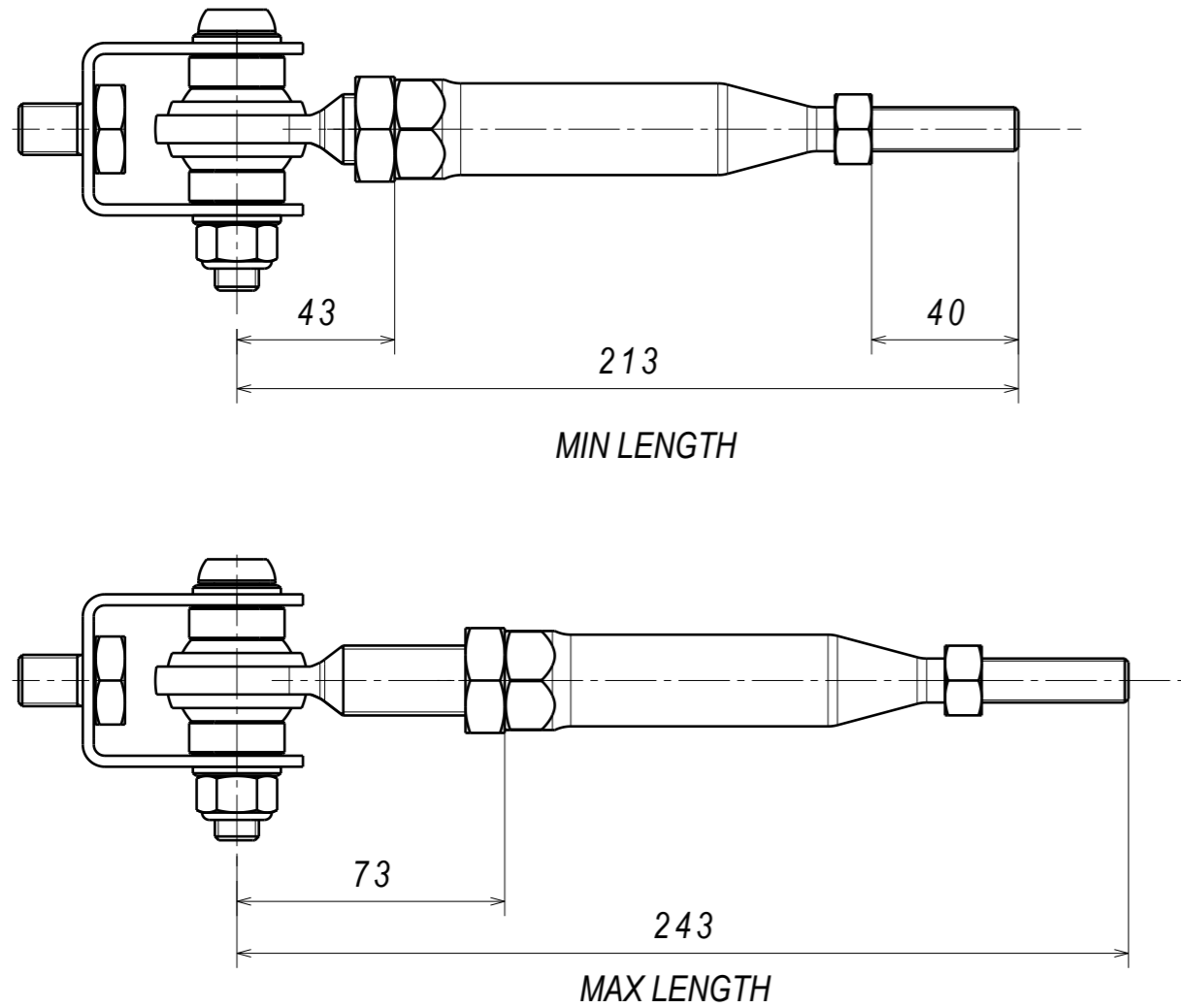


HICS-TROD



11	QA1 PCML12T BOOT REV2	1
10	NYLON LOCKING NUT DIN 985-8 M12x1.75-10	1
9	ISO 7380 BOLT M12x70 STEEL GRADE A HEXAGON HEAD	1
8	ISO 7089 WASHER 12x24	2
7	SPACER 1 PCML12T 12ID 40W	2
6	PCML12T-E ROD END	1
5	JAM NUT 3/4-16 UNF 3B LH (HEIGHT 10,7mm)	1
4	DIN 934 M12x1.25 8.8 ZN 6H	1
3	STRAIGHT TOE ARM CLEVIS	1
2	M14x1.5 SHOULDER HEX SCREW	1
1	HICAS TIE ROD SHAFT	1
PC NO	COMPONENT NAME	QTY

CRITICAL!

CHECK FOR ROD END BEARING ALIGNMENT
AFTER TIGHTENING THE ADJUSTING MECHANISM
ROD END TO BE PERPENDICULAR TO THE SPACERS

