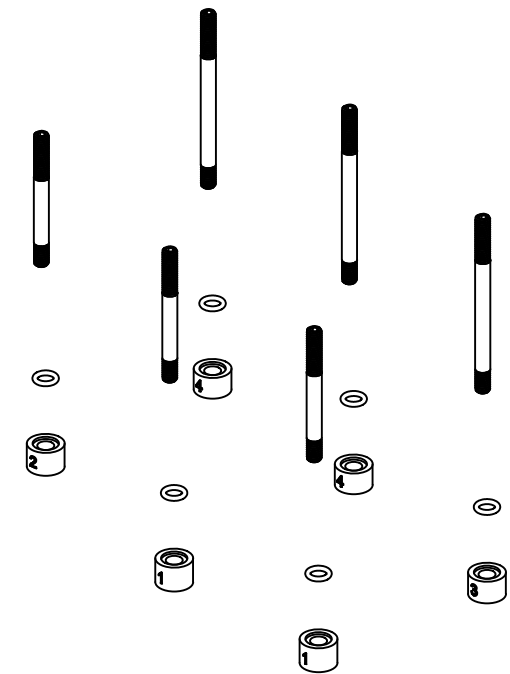


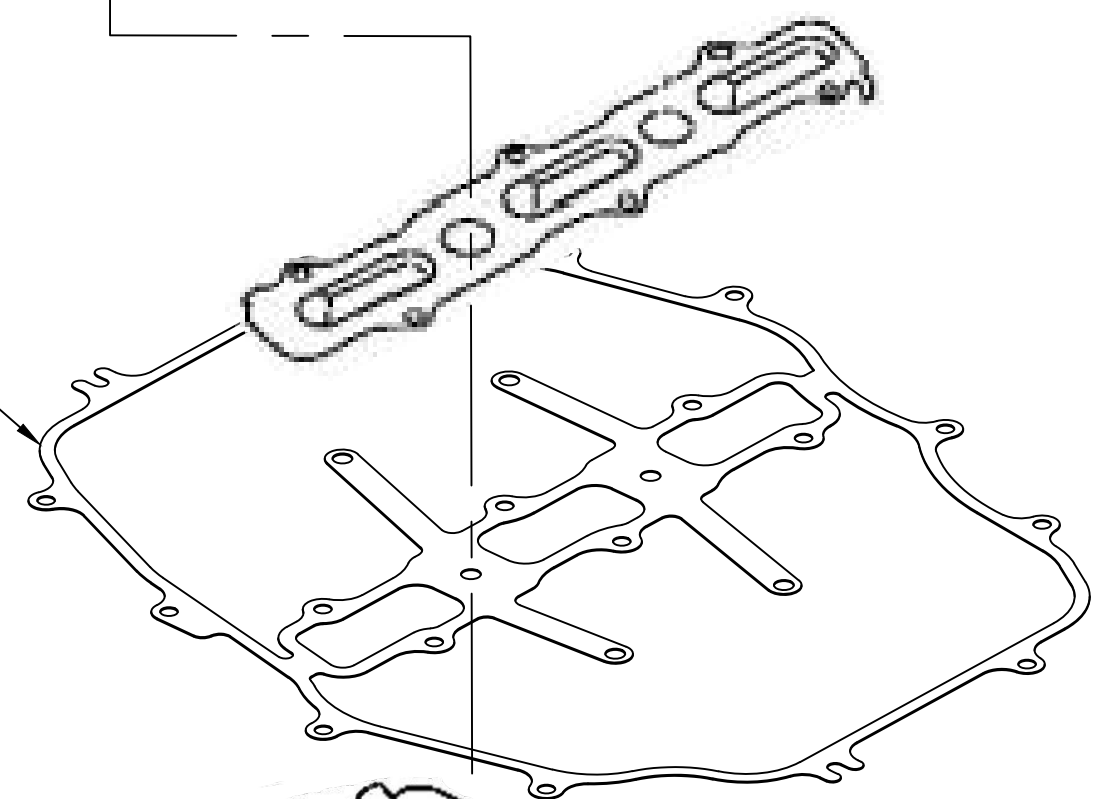
INTK-SPCR

1/3

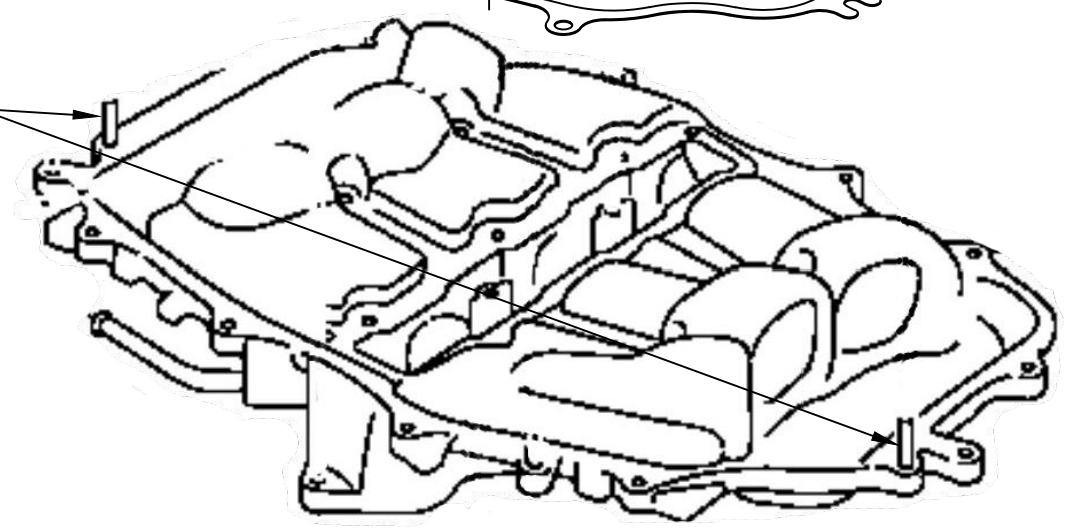
3. Install collector cover and bolts then tighten in LOWER torque sequence to 11.8 - 13.7 N.m (9-10 ft.lbs)



2. Install lower intake gasket



1. Remove and replace OEM studs with M6 x1.0 x 50mm studs



FRONT

LOWER TORQUE SEQUENCE

