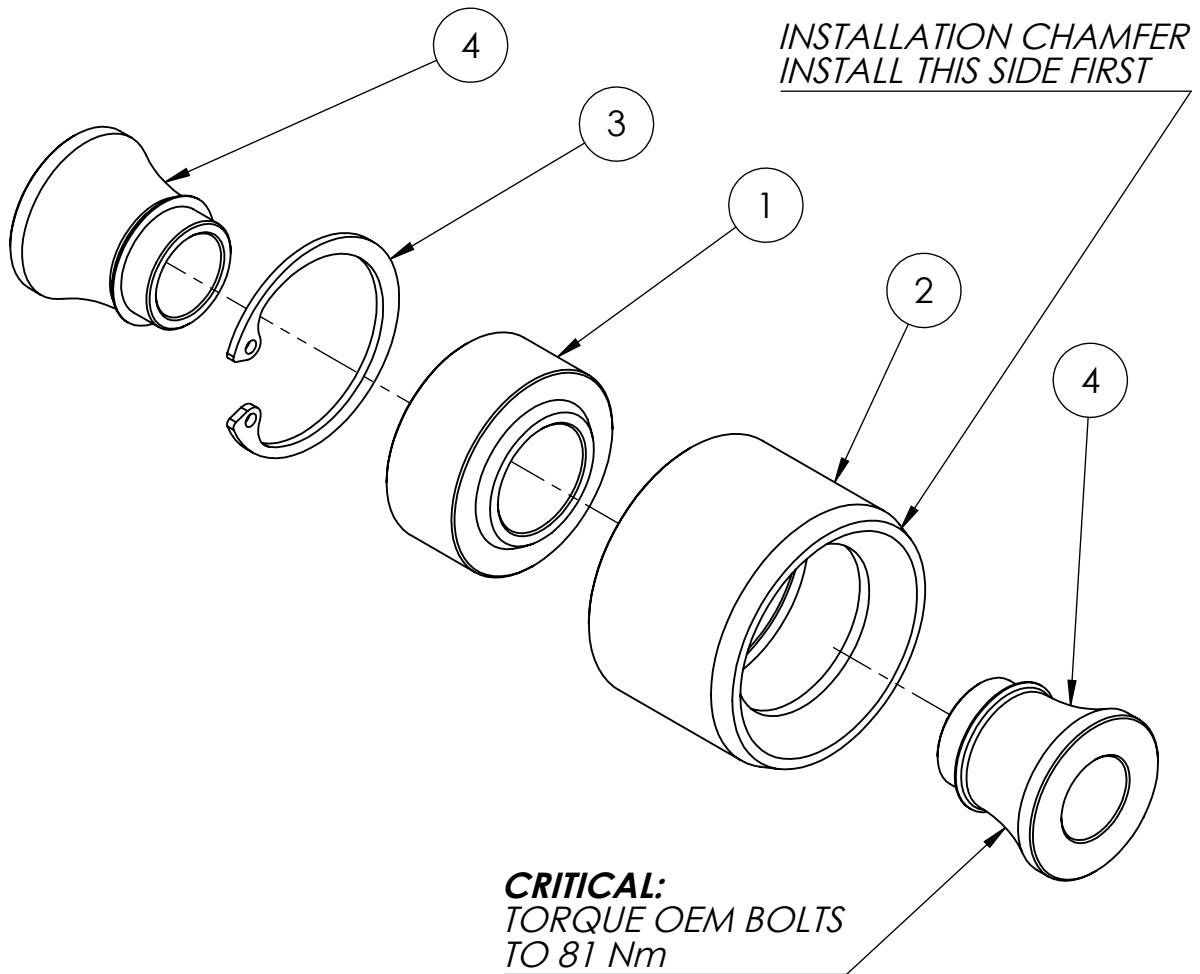


JZXX-RKBL



1. *PRESS OUT THE OEM LOWER CONTROL ARM BUSHINGS.*
2. *PRIOR TO INSTALLING THE BEARING, LIGHTLY SAND AND CLEAN THE KNUCKLE SURFACE.*
3. *PRESS IN NEW SPHERICAL BEARINGS USING THE INSTALLATION CHAMFER. PRESS THE HOUSING IN BY APPLYING FORCE ON THE OUTER EDGE.*

| ITEM NO. | DESCRIPTION | QTY. |
|----------|---|------|
| 1 | COM10-T SPHERICAL BEARING | 1 |
| 2 | JZX100 REAR KNUCKLE LCA SPHERICAL HOUSING | 1 |
| 3 | DIN 472, Internal Retaining Ring | 1 |
| 4 | COM10T SPACER 12.2x49.75 - MM | 2 |