



GKTech.com.au is the manufacturer of all parts sold under GKTech brand. All parts are produced overseas by standards and requirements set by GKTech engineer.

- 1) Thread adapter is Aluminium 6061-T6
- 2) Rod end used has Steel 52100 inner ball and 25CrMo4 heat treated race with PTFE lining for lubrication. Ultimate radial static load: 129kN
- 3) Tie rod shank is Steel 42Crmo4
- 4) All hardware is zinc coated for corrosion prevention

Design process involves calculating loads at different suspension mounting points during cornering and braking scenarios and applying them to design models using Finite Element Analyses and the topology is optimised to meet minimum 4x safety margin for material stress.

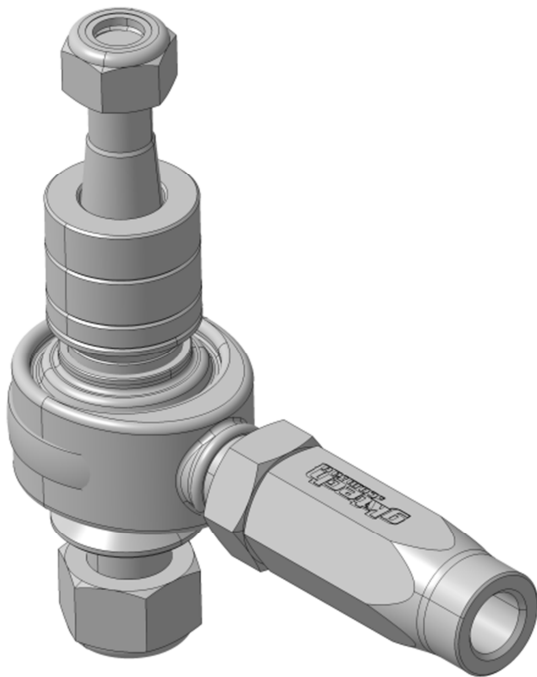


Figure 1. GKtech S-chassis tie rod end