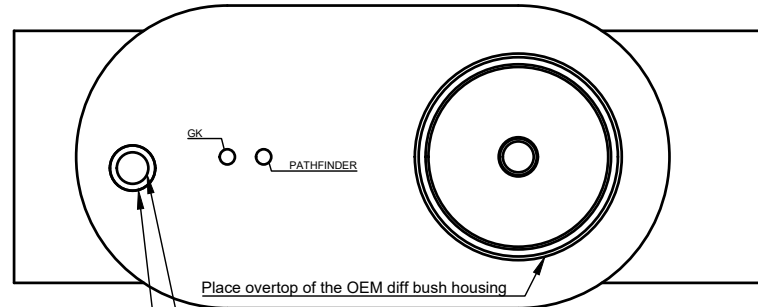
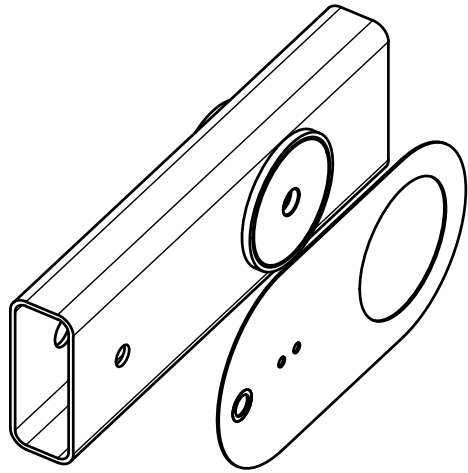


M14X-BBSH / M16X-BBSH BOLT IN BUSH

**** NOTE - The secondary bush kit is designed to be used with solid or good condition PU diff bushes. DO NOT use with OEM or soft PU bushes as the secondary bush will take up an excessive amount of the load ****

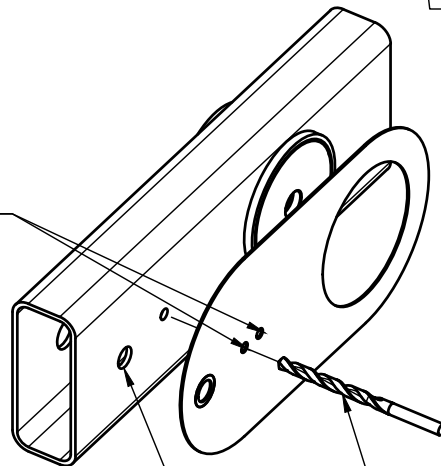


Place overtop of the OEM diff bush housing

Lineup inside hole with hole on FRONT of subframe
Then mark or drill hole to suit either GK or PATHFINDER cover

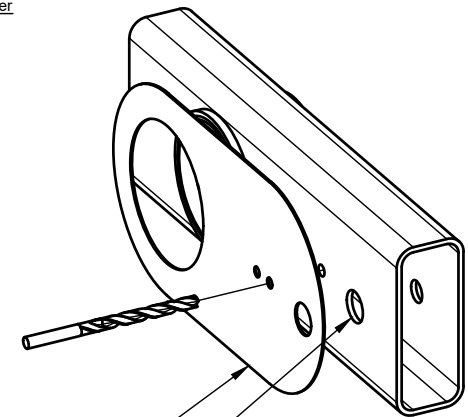
With the guide facing inwards
Lineup outside hole with hole on REAR of subframe
Then mark or drill hole to suit either GK or PATHFINDER cover

Ensure to choose the correct hole
PATHFINDER = OEM Pathfinder diff cover
GK = GKTECH Billet diff cover



Hole on front of subframe

Use regular drillbit to make a
pilot hole for holesaw / step bit
Metric - 6.0mm
Imperial - 1/4"



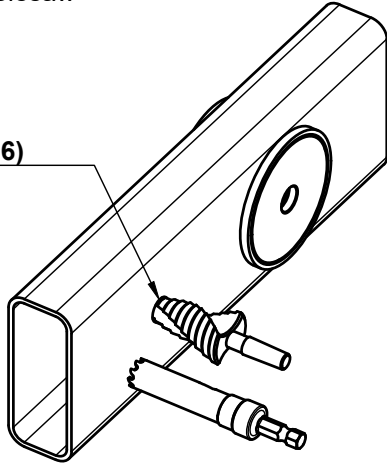
Guide turned over and facing inwards

Hole on rear of subframe

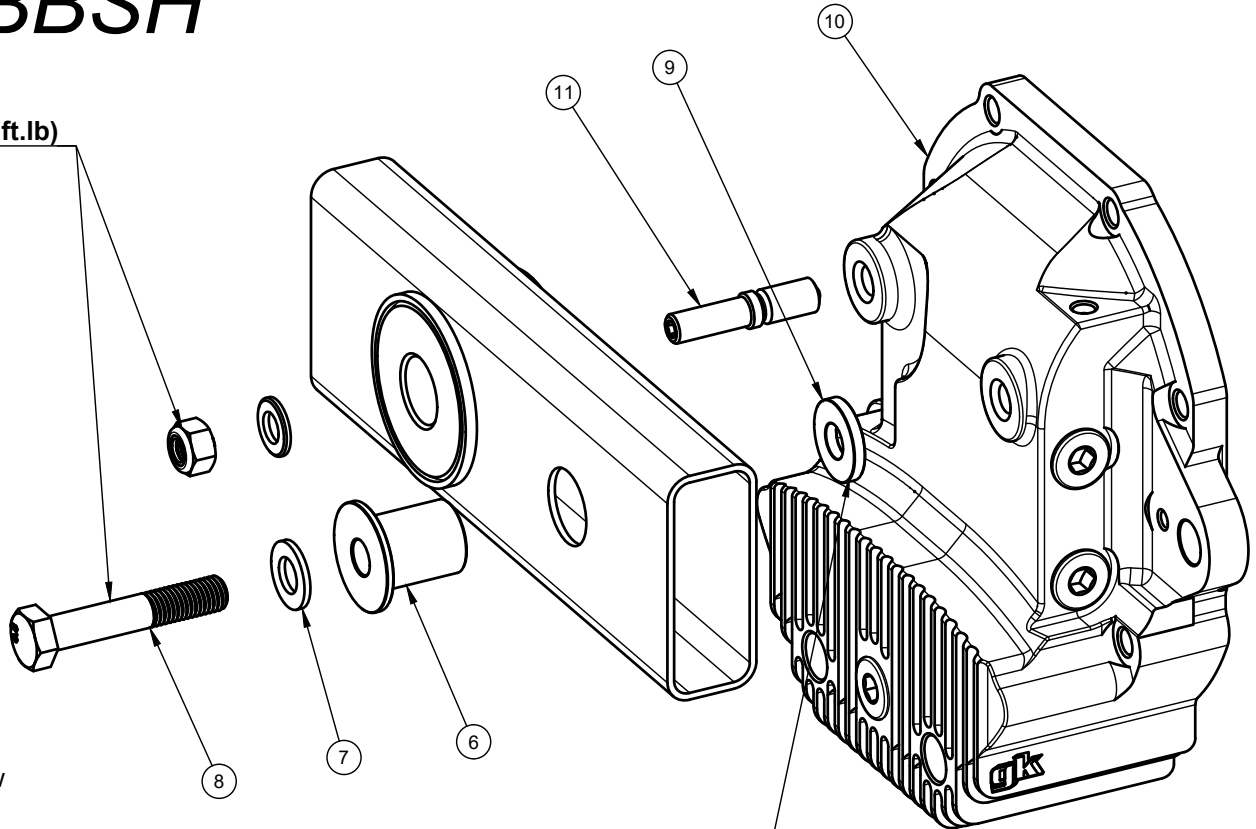
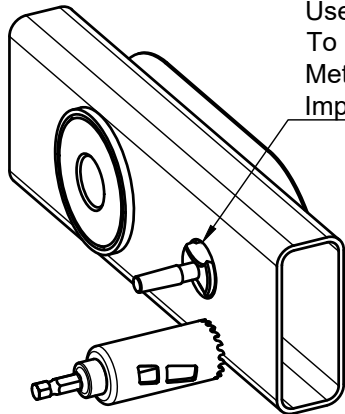
M14X-BBSH / M16X-BBSH BOLT IN BUSH

Torque to 110Nm (81 ft.lb)

Use stepper drill or holesaw
To drill front hole
Metric - 16mm (M14)
18mm (M16)
Imperial - 5/8" (M14)
11/16" (M16)



Use stepper drill bit or holesaw
To drill rear hole
Metric - 32mm
Imperial - 1-1/4"



**DO NOT FORGET TO INSTALL SPACER
BETWEEN DIFF AND SUBFRAME**

NEW DIFF BOLTS INSTALLATION ORDER

1. Support diff, then install the single stud into the OEM position bushing
2. Install single stud nut/washer **HAND TIGHT**
3. Install bolt in secondary diff bush **HAND TIGHT** (with spacer)
4. Install two front diff ear bolts **HAND TIGHT**
5. Following this order again go through and torque bolts to spec

11	1	Diff cover stud
10	1	350Z Diff cover
9	1	5mm Diff Spacer
8	1	M14 x 2.0 x 80 Bolt
7	1	M14 Washer
6	1	Secondary diff bush
Item	Qty	Description
Parts List		