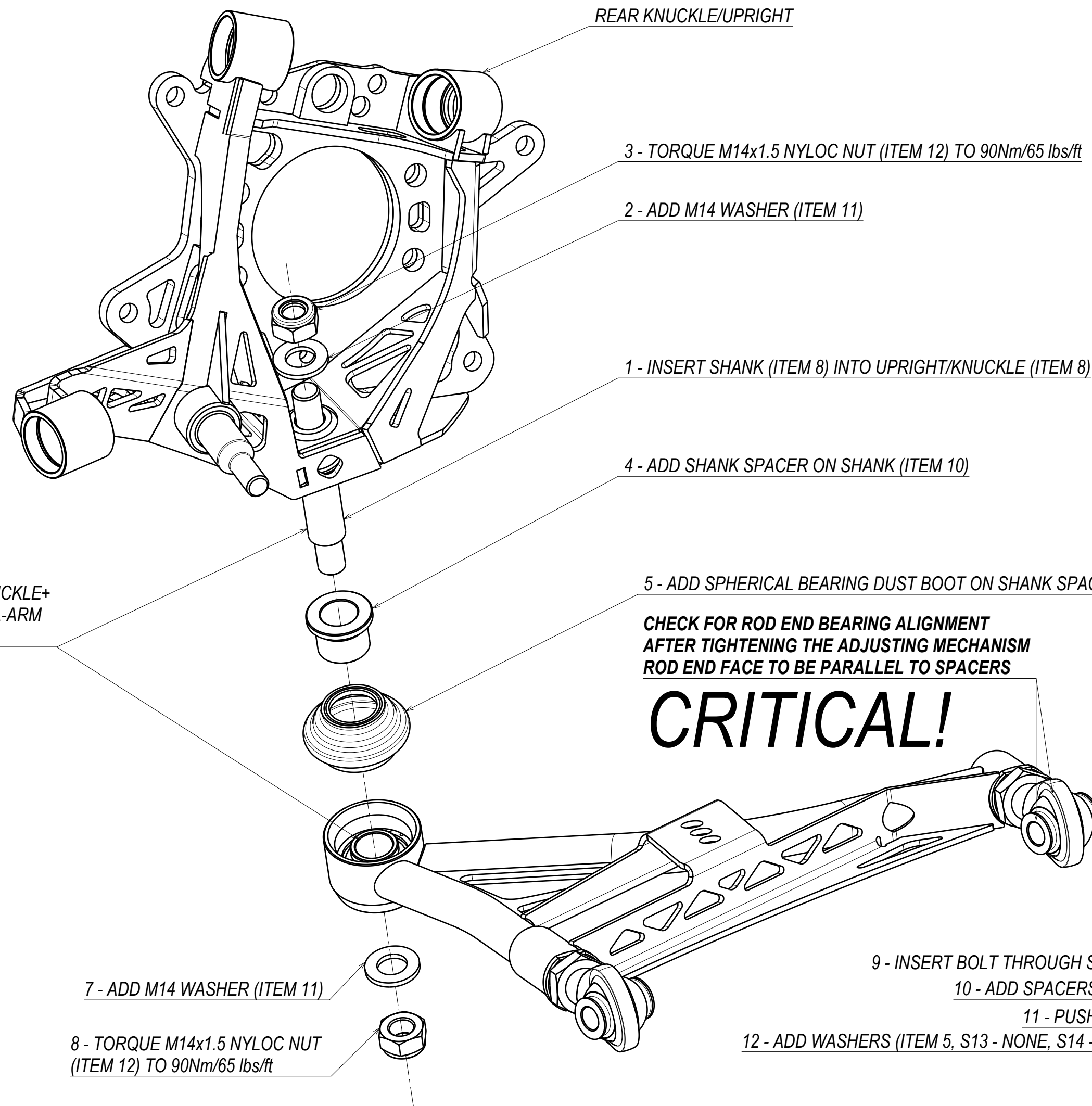
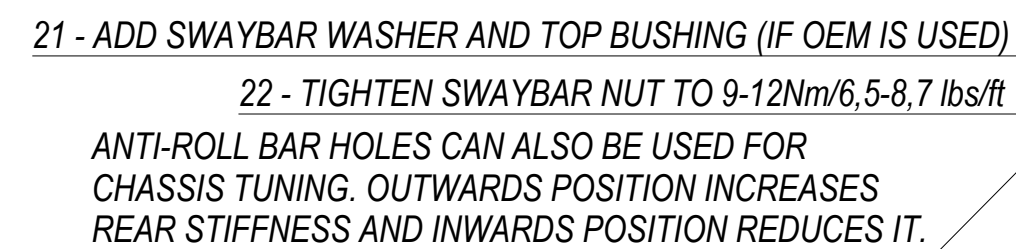
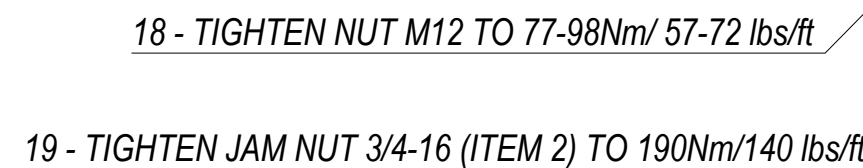
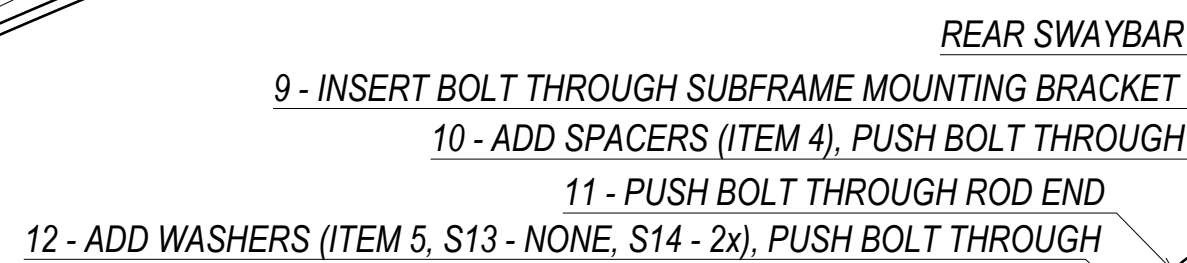
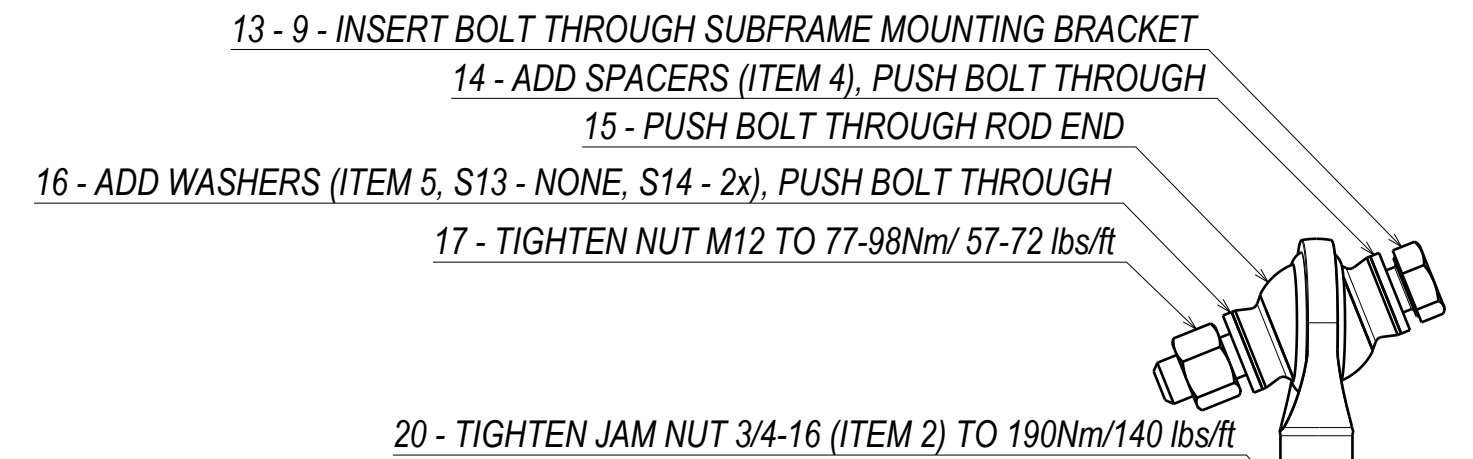
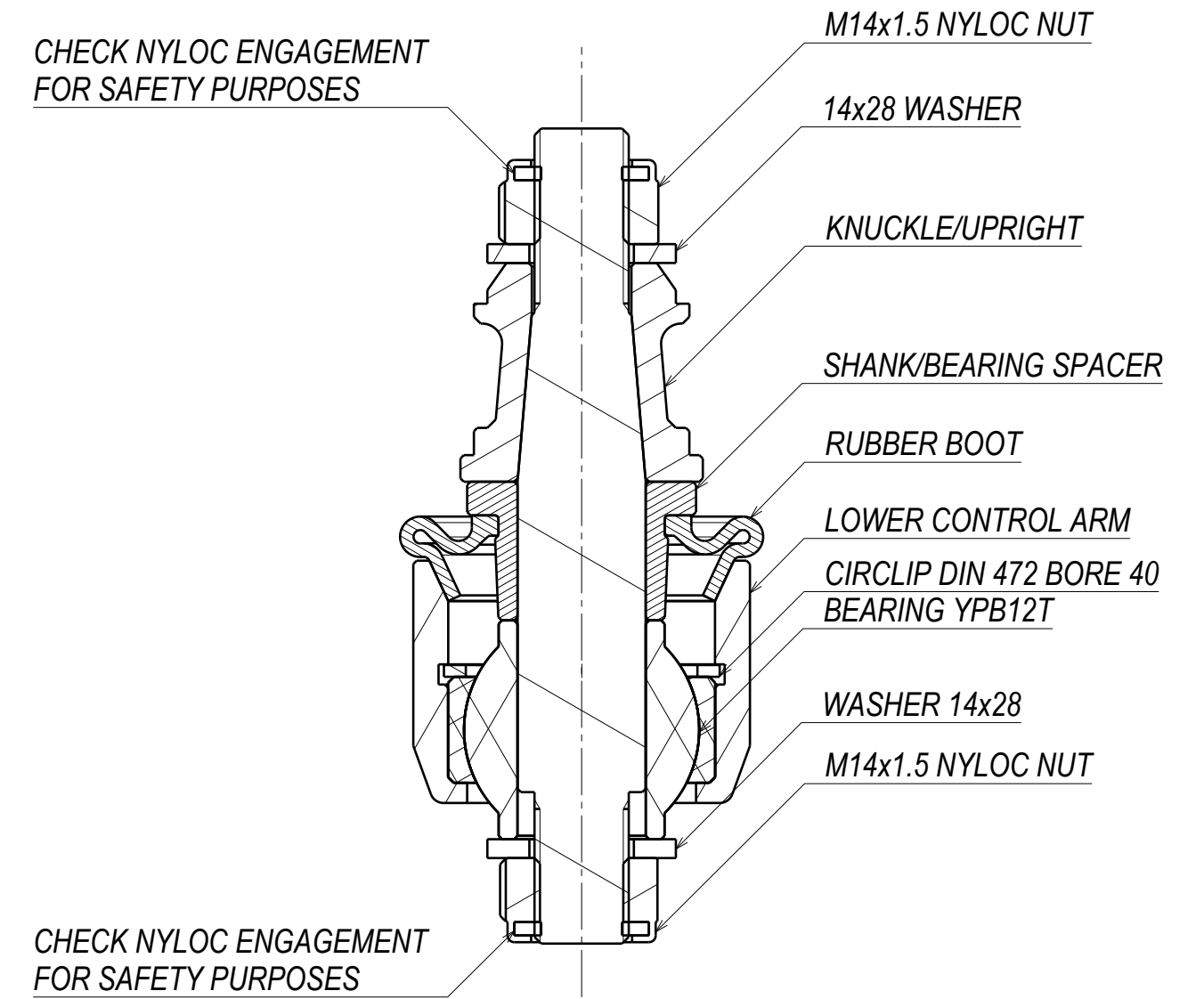


REAR-LCAX 2/2



CHECK FOR ROD END BEARING ALIGNMENT AFTER TIGHTENING THE ADJUSTING MECHANISM ROD END FACE TO BE PARALLEL TO SPACERS

CRITICAL!



13	QA1 PCML12T BOOT REV2	2
12	NYLON LOCKING NUT DIN 985-8 M14x1.5	8
11	WASHER DIN 125 M14	1
10	SHANK SPACER STD LENGTH	1
9	DUST BOOT - FRONT LCA	1
8	SHANK S14/S15 FRONT STD LENGTH	1
7	INTERNAL INVERTED CIRCLIP - 40MM	1
6	SPHERICAL BEARING YPB12-T	1
5	RLCA OFFSET WASHER 12x22x2.5	4
4	RLCA MISALIGNMENT SPACER	4
3	ROD END PCML12-TE	2
2	JAM NUT 3/4-16 UNF 3B (HEIGHT 10,7mm)	2
1	RLCA WELDED ASM L/H	1
PC NO	COMPONENT NAME	QTY