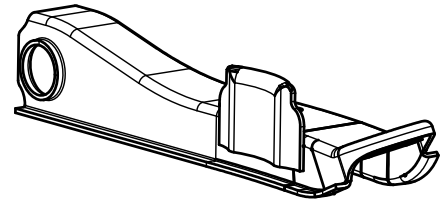


SCHA-20MM / SCHA-30MM / SCHA-40MM

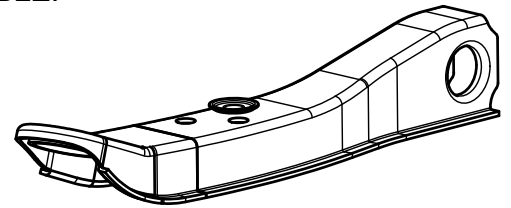
1. REMOVE THE FRONT LOWER CONTROL ARMS (FLCA) FROM THE VEHICLE AND CLEAN TO REMOVE RUST AND GRIME

2. REMOVE THE LOCK STOP BY GRINDING THROUGH THE OEM TACK WELDS.



GRIND FLAT INBOARD TACK WELDS, LEAVING THE OUTBOARD LOCATION STILL VISIBLE.

3. USE THE CUTTING TEMPLATE TO MARK WHERE TO CUT THE FLCA.

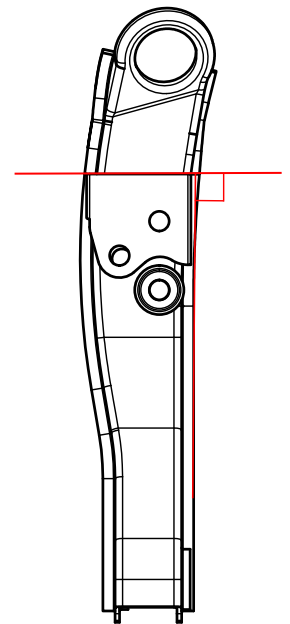


ALIGN THE HOLES IN THE CUTTING TEMPLATE WITH THE FLCA.

ENSURE THAT THE TEMPLATE IS AT A RIGHT ANGLE TO THE FLAT SIDE OF THE FLCA.

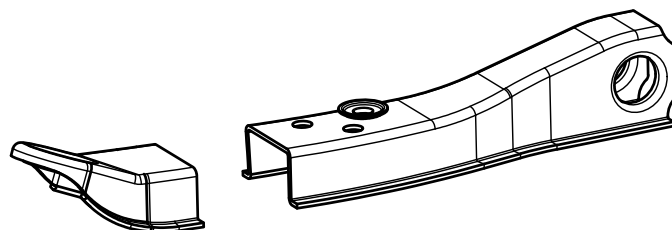
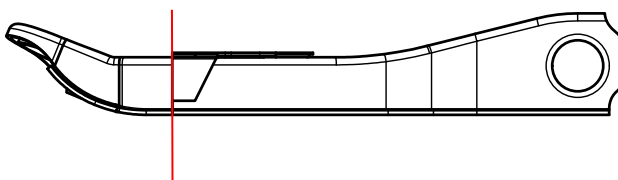
MARK ACROSS THE TOP AND DOWN THE SIDES OF THE FLCA.

DO NOT FORCE THE TEMPLATE TO FOLLOW THE FLCA SIDE CONTOURS, KEEP THE TEMPLATE FLAT.



4. CUT THE FLCA.

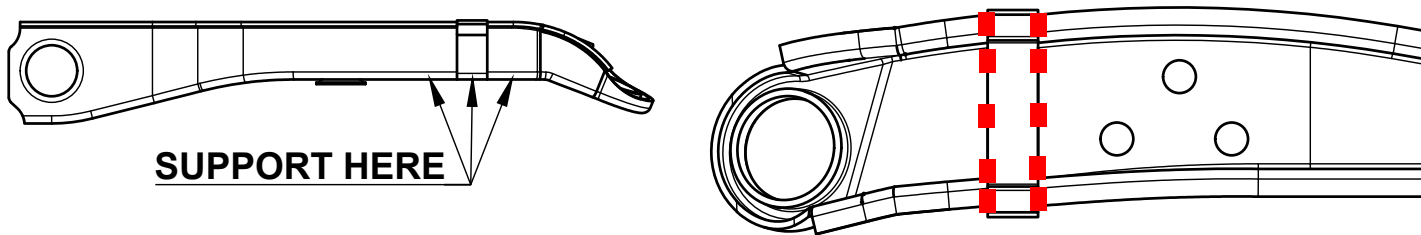
ENSURE TO KEEP THE CUT VERTICAL THROUGHOUT.



5. CLEAN THE PAINT, RUST AND GRIME FROM THE AREAS SURROUNDING THE CUT AND PREPARE THEM FOR WELDING.

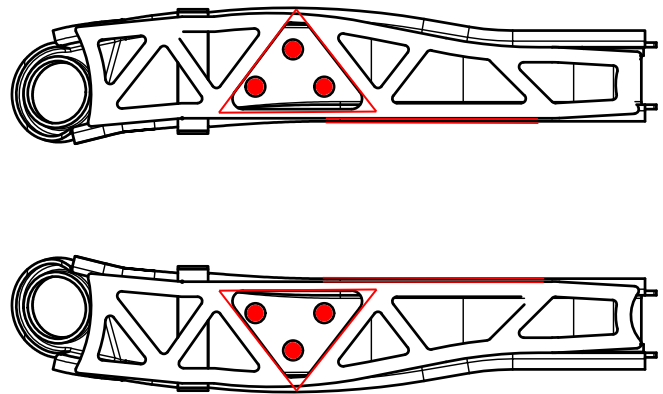
TACK WELD TOGETHER THE EXTENSION AND THE FLCA ON THE INSIDE OF THE ARM IN THE HIGHLIGHTED LOCATIONS.

TO ASSIST WITH ALIGNMENT, IT IS RECOMMENDED TO SETUP UPSIDE DOWN, AND SUPPORT THE FLCA IN THE HIGHLIGHTED REGION DURING THE INITIAL SETUP.



6. ONCE TACKED, CHECK THE FITMENT OF THE REINFORCEMENT.

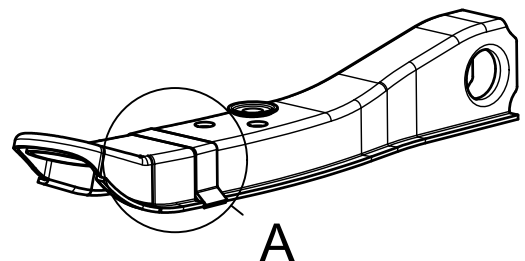
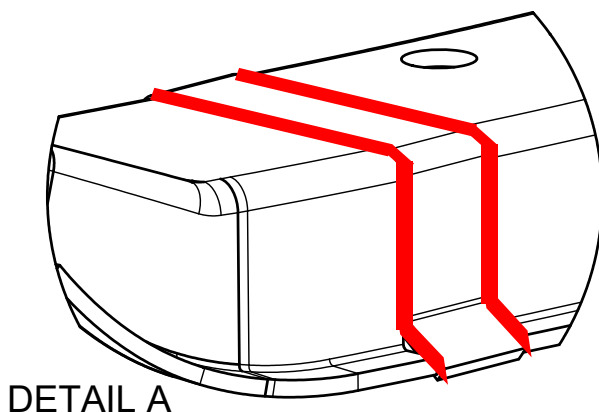
THE TRIANGULAR CUTOUT IN THE REINFORCEMENT SHOULD ALIGN WITH THE HOLES ON THE FLCA AND THE STRAIGHT LINE ON THE REINFORCEMENT SHOULD SIT PARALLEL TO THE STRAIGHT SECTION OF THE FLCA.



7. BEFORE PROCEEDING ENSURE THAT YOU ARE SATISFIED WITH THE FITMENT OF THE EXTENSION PIECE AND THE REINFORCEMENT.

IF NOT, YOU MAY NEED TO BREAK THE EXISTING WELDS AND RE-ALIGN THE EXTENSION.

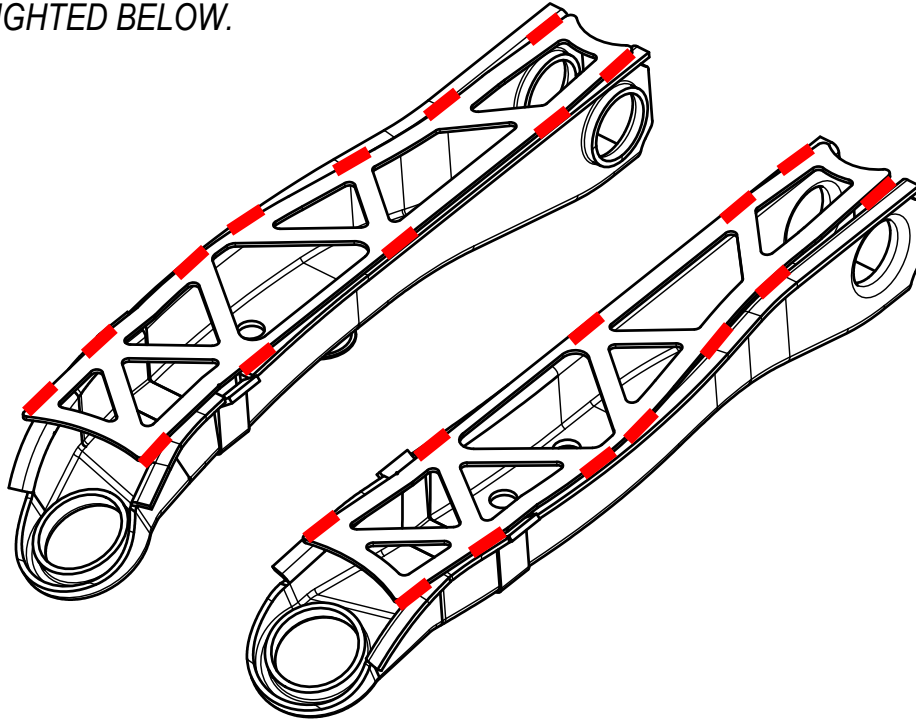
8. REMOVE THE REINFORCEMENT AND FULLY WELD THE EXTENSION PIECE ON THE FLCA IN THE LOCATIONS HIGHLIGHTED BELOW.



9. CLEAN THE AREAS WHICH YOU INTEND THE WELD FROM RUST, AND PAINT AND GRIME TO PREPARE THE SURFACE.

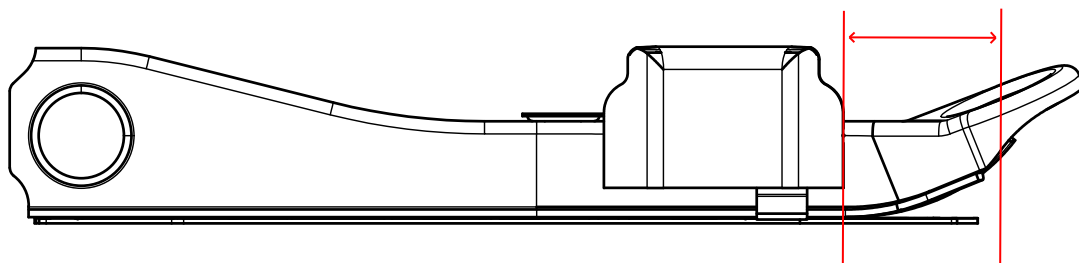
REPEAT STEP 6 TO ALIGN THE REINFORCEMENT ON TO THE FLCA'S.

10. TACK WELD THE REINFORCEMENTS INTO PLACE.
11. BEND THE REINFORCEMENTS DOWNWARD IN THE BALL JOINT AREA SO THAT THEY FOLLOW THE CONTOUR OF THE FLCA.
12. STITCH WELD THE REINFORCEMENTS ONTO THE FLCA IN THE LOCATIONS HIGHLIGHTED BELOW.



13. USING THE ORIGINAL WELD AS A GUIDE, WELD THE LOCK STOPS BACK ONTO THE FLCA'S

ENSURE THEY REMAIN THE SAME DISTANCE FROM THE BALLJOINT AS OEM, AND THAT THE SURFACES ARE PREPARED PRIOR TO WELDING.



14. PAINT YOUR EXTENDED AND REINFORCED FLCA'S TO INHIBIT RUST AND CORROSION.
15. REINSTALL YOUR FLCA'S ONTO YOUR VEHICLE.