

XE10-RLCA

V1 - COILOVER CLEARANCE CHECKING

WE HAVE BECOME AWARE THAT OUR NEW XE10 REAR LOWER CONTROL ARMS HAVE COMPATABILITY ISSUES WITH SOME AFTERMARKET COILOVERS.

THIS SHEET IS TO ACT AS A GUIDE FOR CHECKING COMPATABILITY WITH AFTERMARKET COILOVERS.

TWO MEASUREMENTS ARE REQUIRED TO CHECK COMPATABILITY. FIRST, THE OUTER DIAMETER OF THE COILOVER MUST BE KNOWN.

AS CAN BE SEEN IN DIAGRAM A, B AND C, THE OEM COILOVER MEASURES 58.45mm OD AND HAS A 43.5mm HEIGHT.

THE OEM ARM HAS CLEARANCE FOR A 60mm OD COILOVER AT 28MM HEIGHT (DIAGRAM D).

WHILE FOR THE GKTECH ARM, FOR A 60mm OD COILOVER THERE IS A MINIMUM HEIGHT OF 42MM.

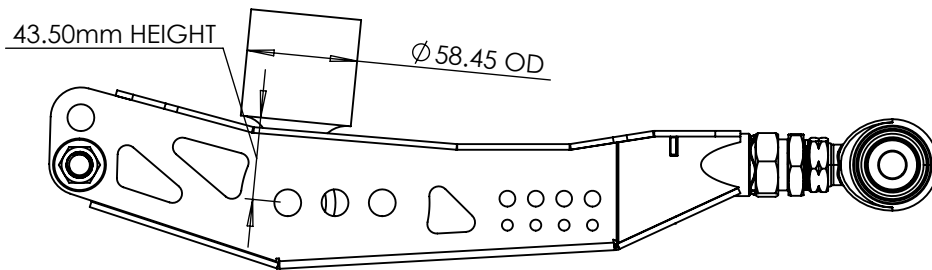
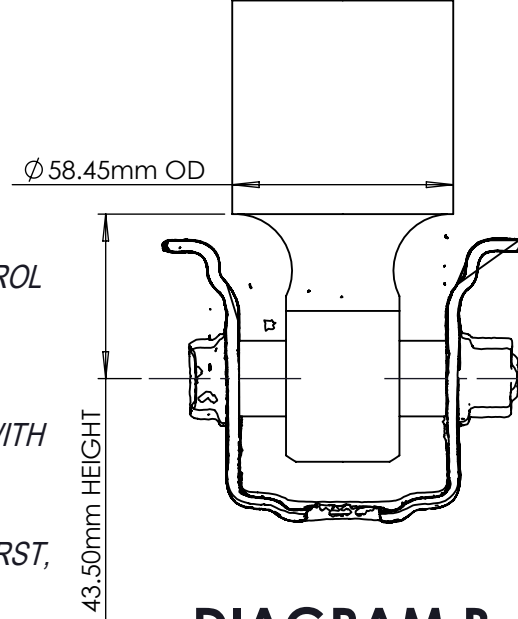
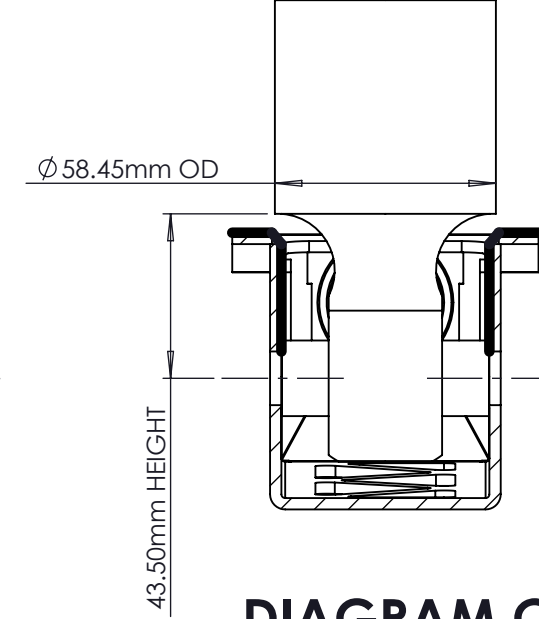


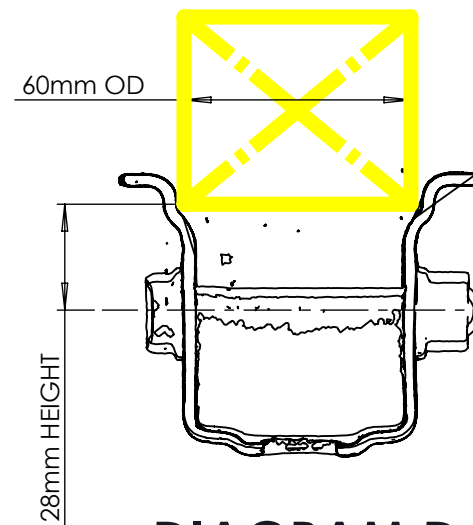
DIAGRAM A



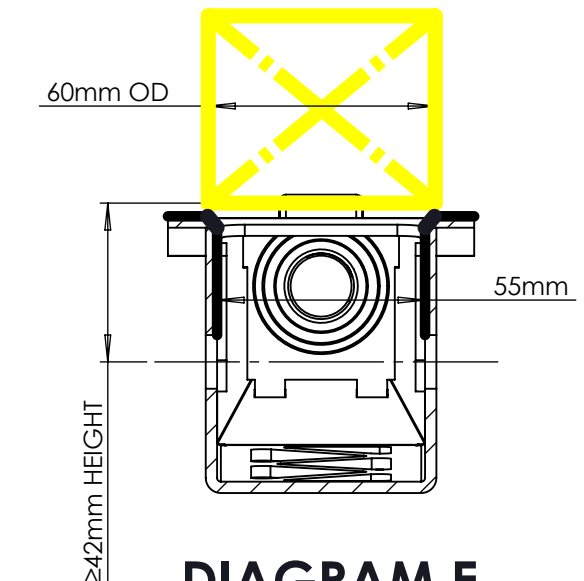
**DIAGRAM B
(OEM)**



**DIAGRAM C
(GKTECH)**



**DIAGRAM D
(OEM)**



**DIAGRAM E
(GKTECH)**