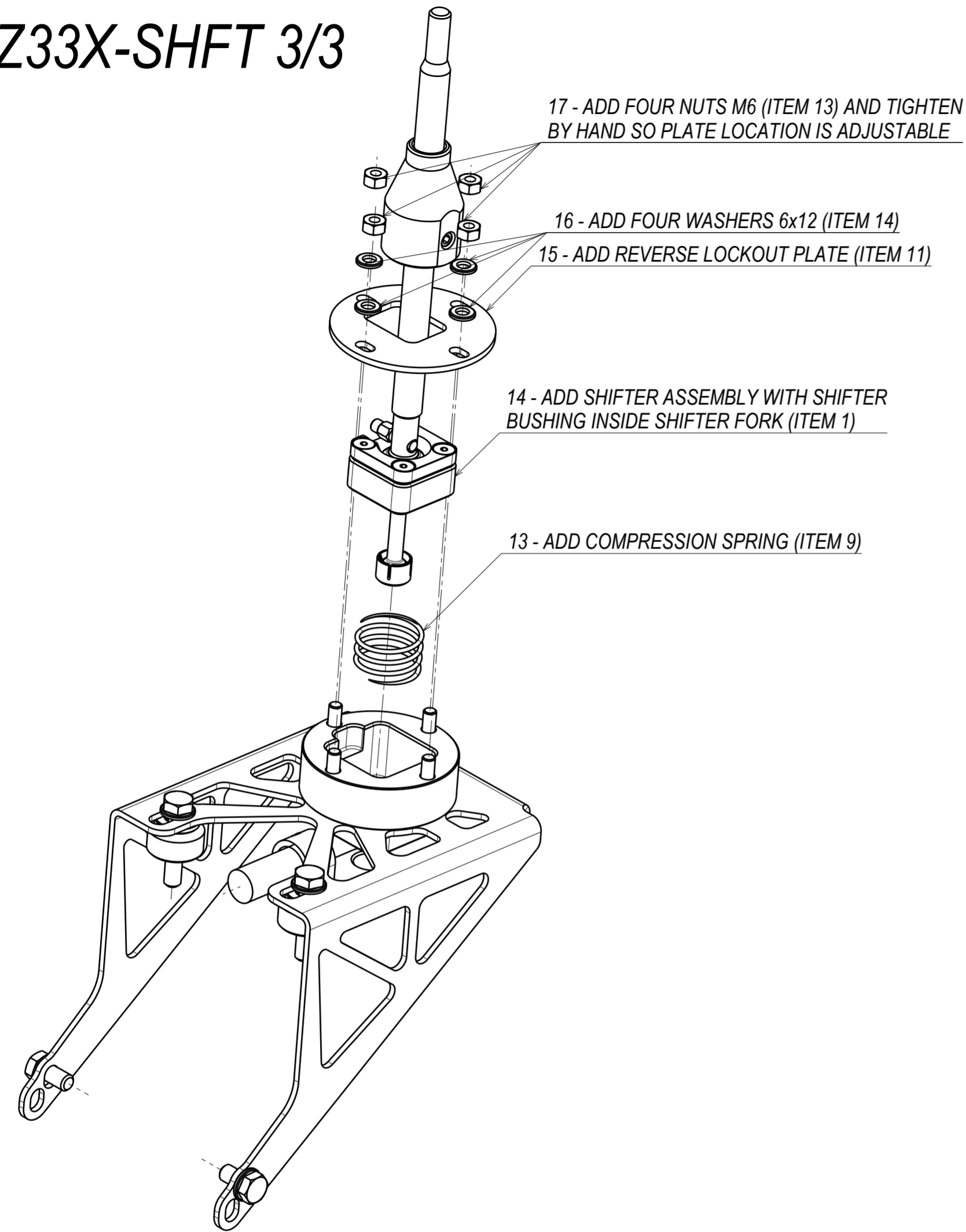
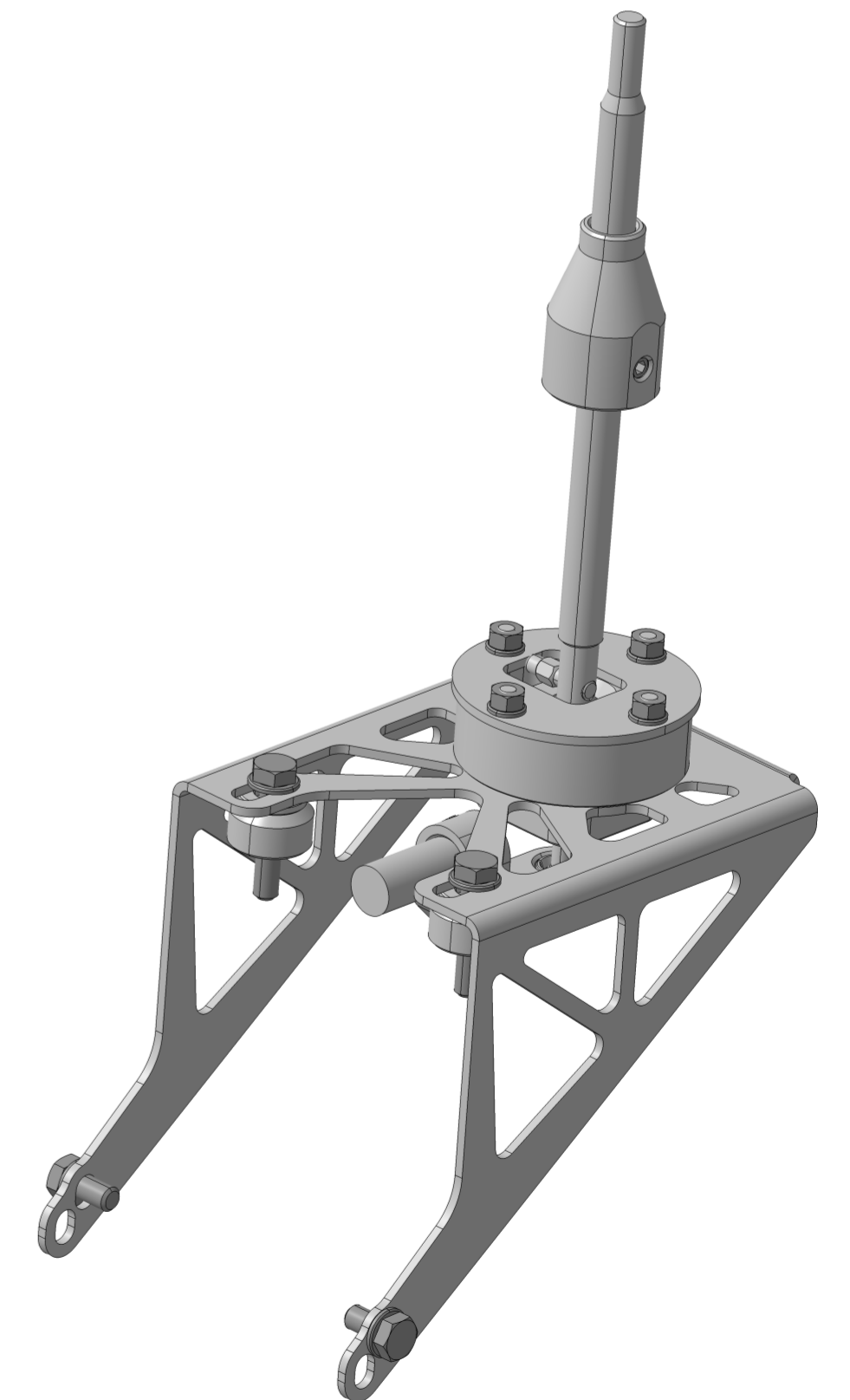
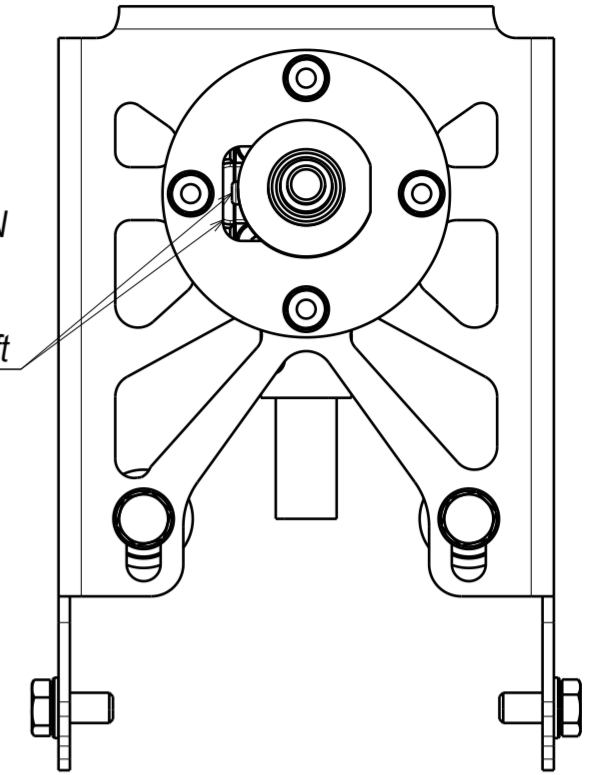


Z33X-SHFT 3/3



18 - ADJUST SHIFTER REVERSE GEAR LOCKOUT PIN TO PLATE CLEARANCE IN FIFTH OR SIXTH GEAR BY ADJUSTING THE LOCKOUT PLATE (ITEM 11) LOCATION AND THEN TIGHTEN NUTS TO 8Nm / 6lbs/ft



| | | |
|----------|--|-----|
| 15 | 350Z SHIFTER BRACKET EXTRA SPACER | 2 |
| 14 | ISO 7089 8x16 GRADE A NORMAL SERIES PLAIN WASHER | 4 |
| 13 | ISO 4032 M6 STEEL GRADE A HEXAGON NUT | 4 |
| 12 | ISO 7089 6x12 GRADE A NORMAL SERIES PLAIN WASHER | 4 |
| 11 | 350Z SHIFTER REVERSE LOCKOUT PLATE | 1 |
| 10 | 350Z SHIFTER LEVER ASSEMBLY | 1 |
| 9 | COMPRESSION SPRING | 1 |
| 8 | ISO 7380 M6x35 HEXOGEN SOCKET BUTTON HEAD SCREW 10.9 | 4 |
| 7 | 350Z SHIFTER HOUSING | 1 |
| 6 | ISO 4014 M8x16-1.25 HEXAGON HEAD BOLT 8.8 | 2 |
| 5 | ISO 4014 M8x35-1.25 HEXAGON HEAD BOLT 8.8 | 2 |
| 4 | 350Z SHIFTER BRACKET | 1 |
| 3 | 350Z SHIFTER BRACKET SPACER | 2 |
| 2 | ISO 8752 SPRING PIN 6x26 STEEL SLOTTED HEAVY DUTY | 1 |
| 1 | 350Z SHIFTER FORK | 1 |
| ITEM NO. | DESCRIPTION | QTY |