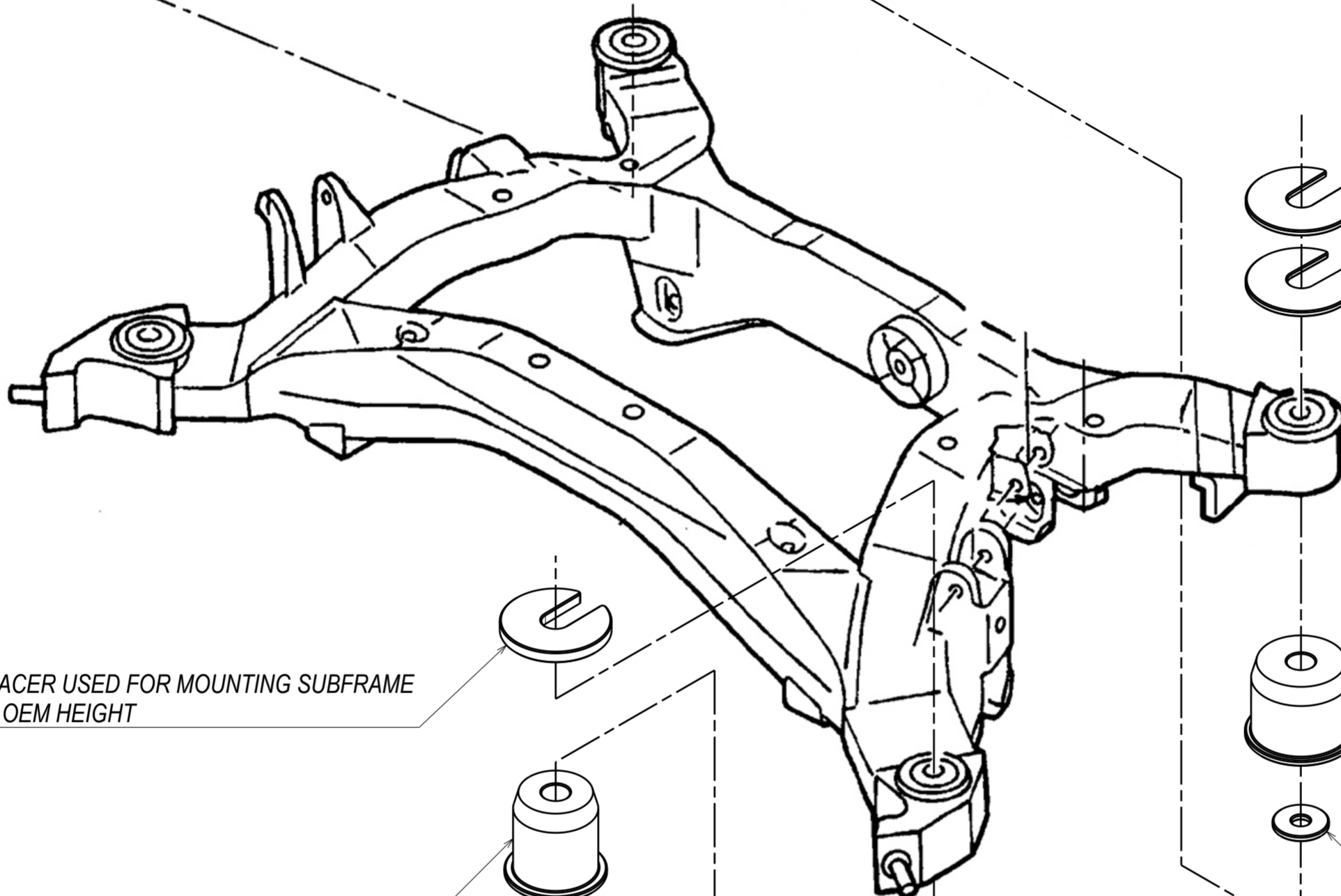
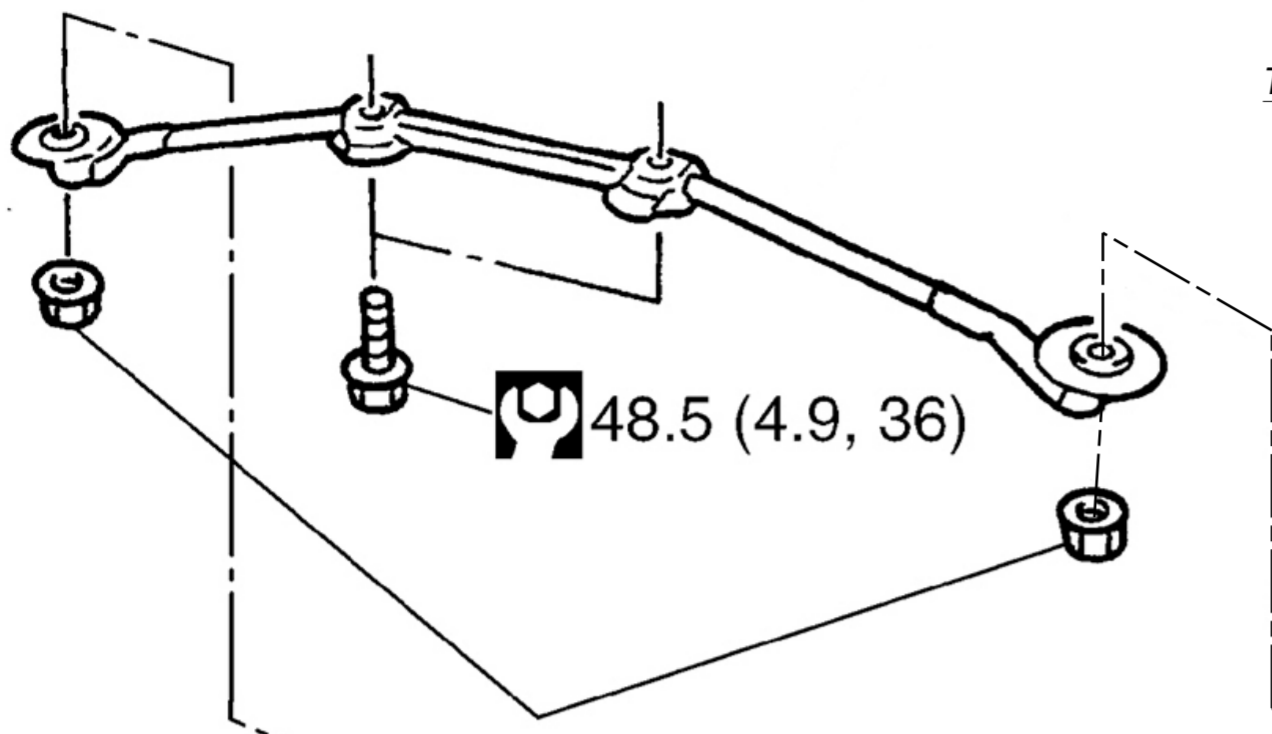
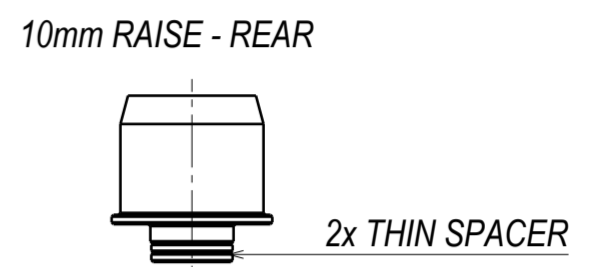
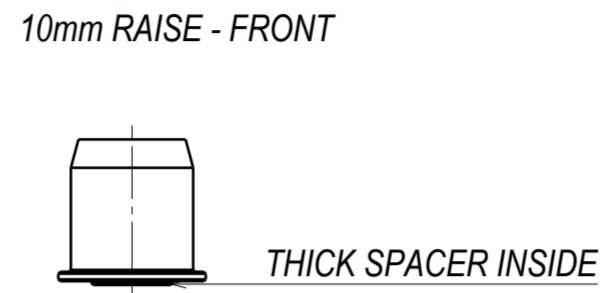
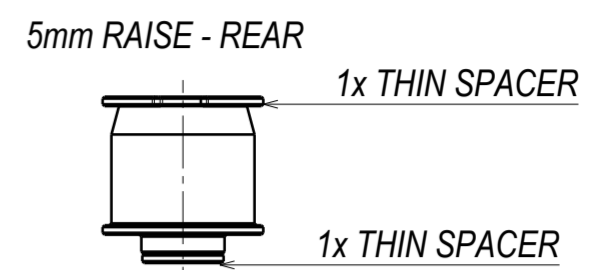
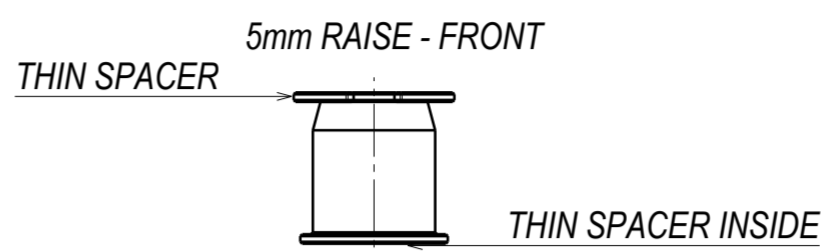
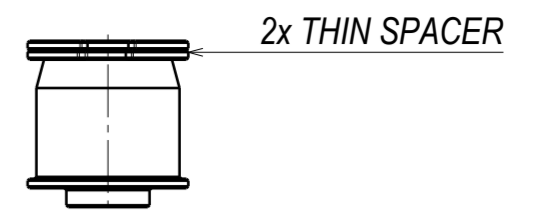
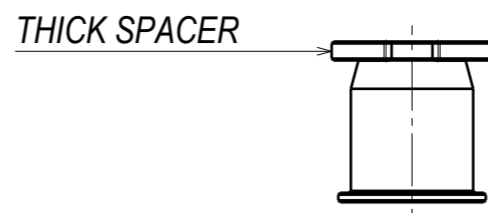


# Z33X-SUBBF

OEM CONFIGURATION - FRONT

OEM CONFIGURATION - REAR



2x SPACERS USED FOR MOUNTING SUBFRAME AT OEM HEIGHT

SINGLE SPACER USED WHEN TILTING SUBFRAME  
NO SPACER USED WHEN RAISING SUBFRAME

SPACER USED FOR MOUNTING SUBFRAME AT OEM HEIGHT

FRONT MOUNT - TALL INSERT

FRONT MOUNT - THICK SPACER

FRONT MOUNT - THIN SPACER

REAR MOUNT - SHORT INSERT

REAR MOUNT - THIN SPACER

110 (11, 81)

55 (5.6, 41)

5.5 (0.56, 49)

45 (4.6, 33)

25 (2.6, 18)

45 (4.6, 33)

