

Z34X-OFFFX

HOLD FROM FLATS (24mm hex spanner) WHEN REMOVING OEM TIE ROD TO AVOID DAMAGE TO THE RACK PINION GEAR
 HOLD THE OFFSET RACK SPACER BODY WHEN TIGHTENING THE BOLT TO AVOID DAMAGING THE SPACER TABS

M16x1 THREAD INNER TIE ROD MUST BE USED. M16 SHAFT LENGTH TO BE CUT DOWN TO 15-16mm.

TIGHTEN TO 92Nm (68 ft-lbs, 815 inch-lbs) USING CROW FOOT EXTENSION

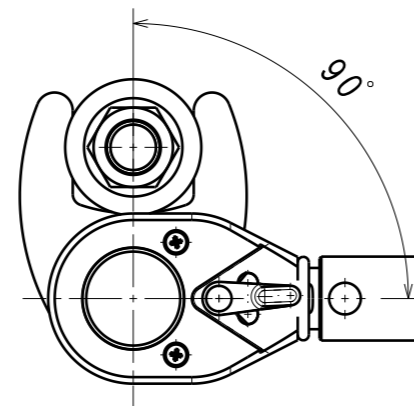
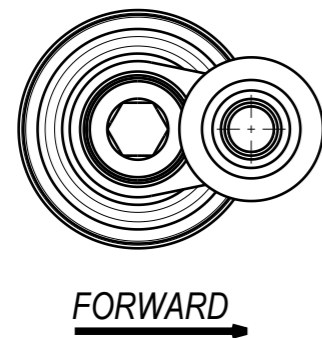
INSTALL TIE ROD BOOT

OUTER TIE ROD THREAD M14x1.5

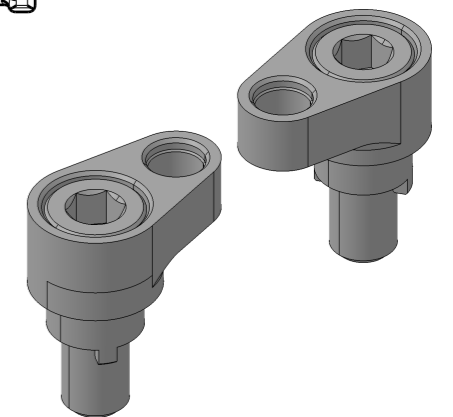
TIGHTEN TO 92Nm (68 ft-lbs, 815 inch-lbs)

FIT SPACER TABS TO RACK SLITS. LEFT AND RIGHT SIDE ARE DIFFERENT. TIE ROD IS TO BE OFFSET TOWARDS THE FRONT

USE MEDIUM STRENGTH THREAD RETAINING COMPOUND (LOCTITE 243)



CROW FOOT TO BE USED FOR TORQUING INNER TIE ROD IF POSSIBLE. TORQUE WRENCH TO BE 90° TO CROW FOOT AS NOT TO REQUIRE TORQUE VALUE CORRECTION



3	ISO 4762 M18x1x45 HEX HEAD CAP SCREW 12.9	2
2	370Z TIE ROD OFFSET SPACER - 30mm R/H	1
1	370Z TIE ROD OFFSET SPACER - 30mm L/H	1
PC NO	COMPONENT NAME	QTY