

Z34X-PGBM

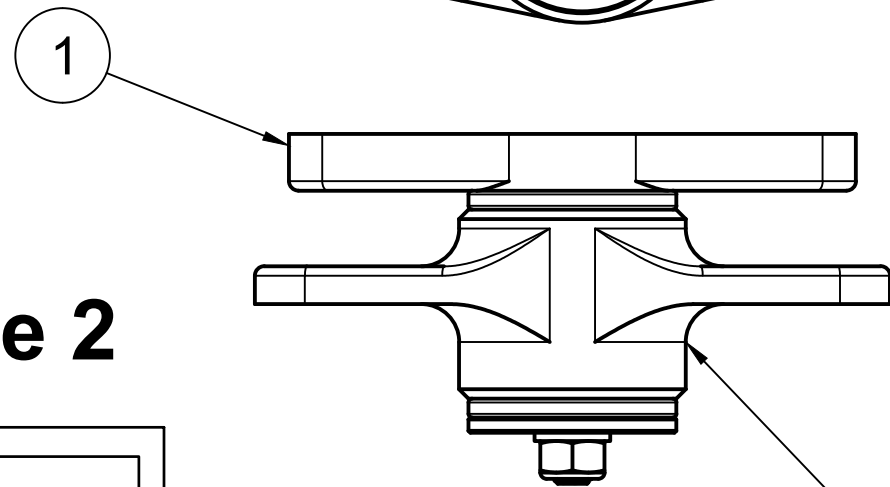
1/2

CRITICAL!

3. Upper and lower body to be parallel as shown

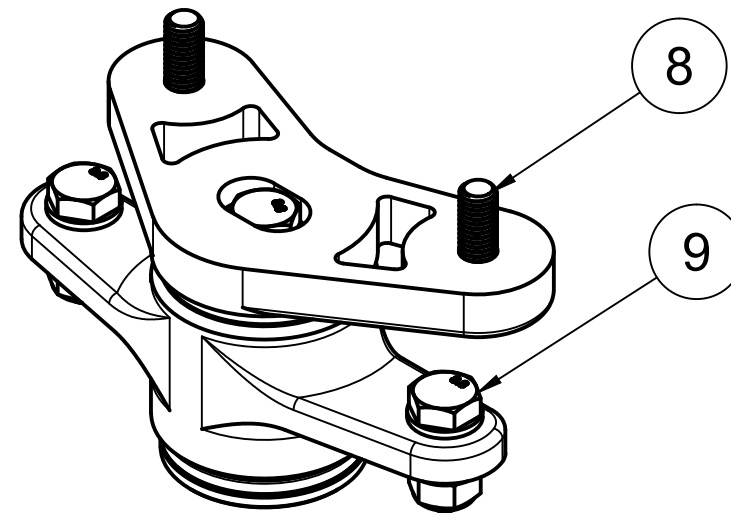
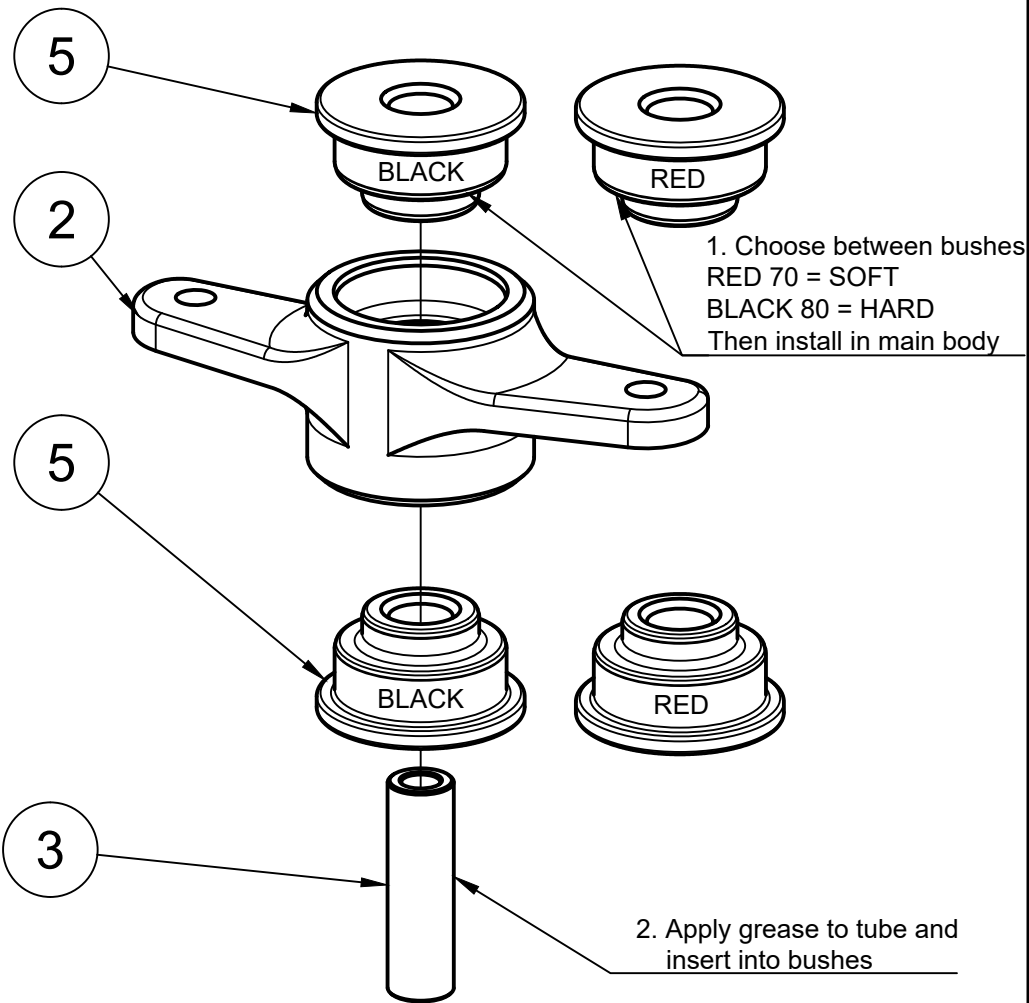
FRONT ↑

Stage 2



4. Larger part of lower mount to be facing away from upper mount

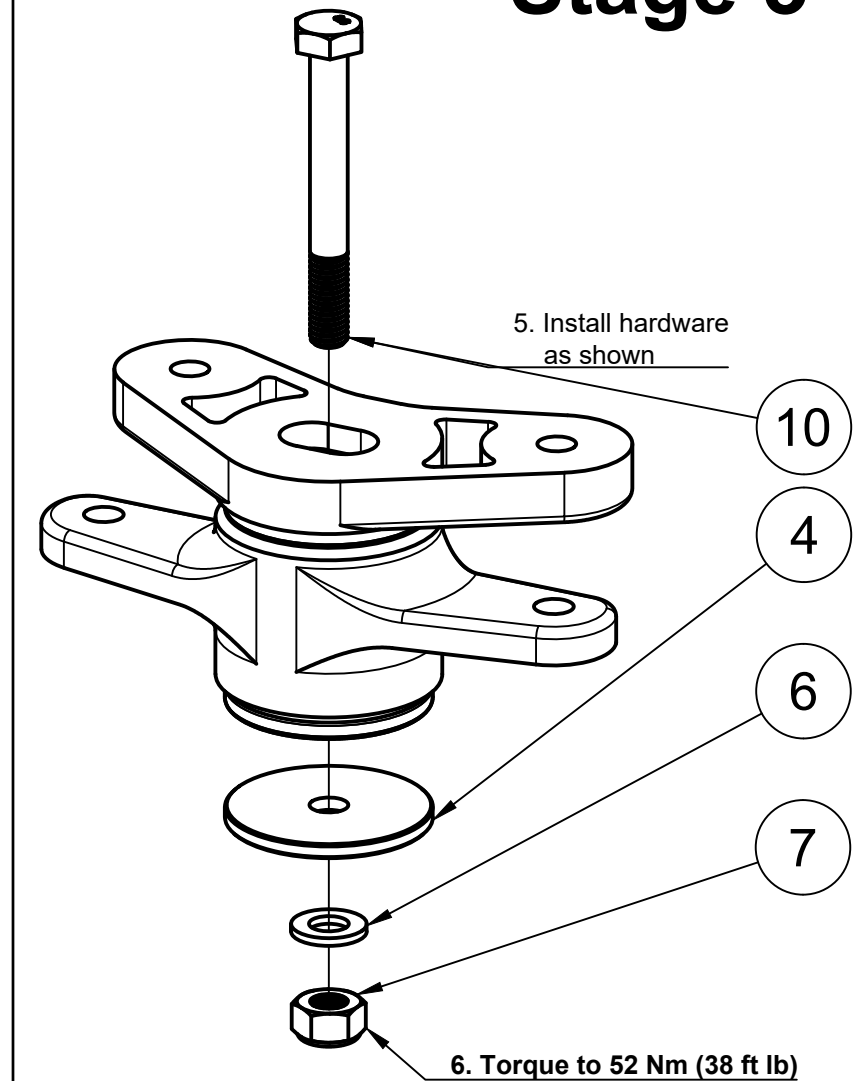
Stage 1



**** NOTE ****

Mount comes pre-installed with RED bushes

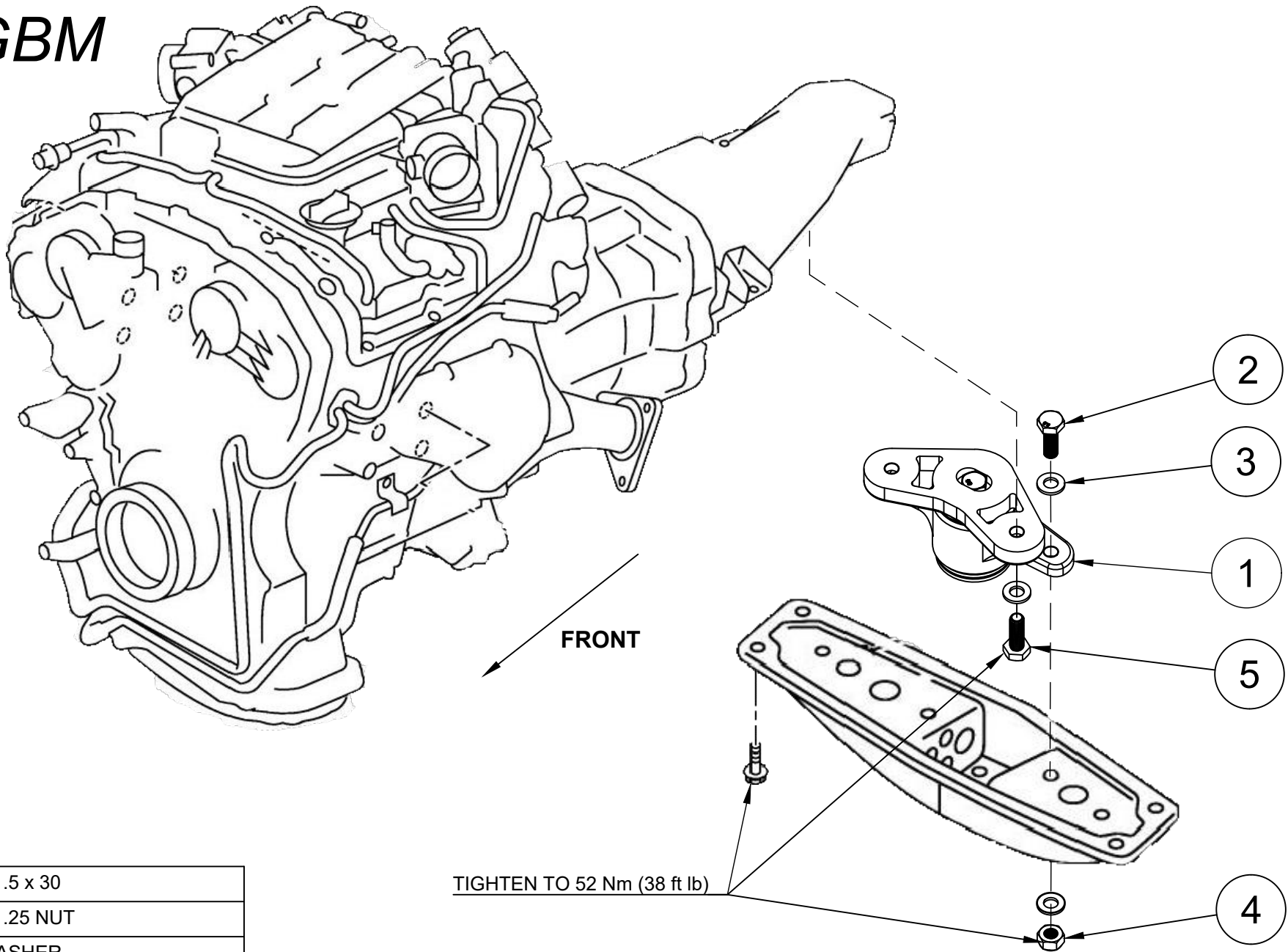
Stage 3



12	2	Black 70 ShA Transmission Mount Bushing (SOFT)
10	1	M10 x 1.25 x 85 Bolt
9	2	M10 x 1.25 x 30 Bolt
8	2	M10 x 1.5 x 30 Bolt
7	3	M10 x 1.25 Nut
6	7	M10 Washer
5	2	Black 80 ShA Transmission Mount Bushing (HARD)
4	1	370 PU GB Washer
3	1	370 PU GB Insert
2	1	370 PU GB Lower Mount
1	1	370 PU GB Upper Mount
Item	Qty	Description
Parts List		

Z34X-PGBM

2/2



5	2	M10 x 1.5 x 30
4	3	M10 x 1.25 NUT
3	7	M10 WASHER
2	2	M10 x 1.25 x 30
1	1	370Z POLY GEARBOX MOUNT
Item	Qty	Part Number
Parts List		