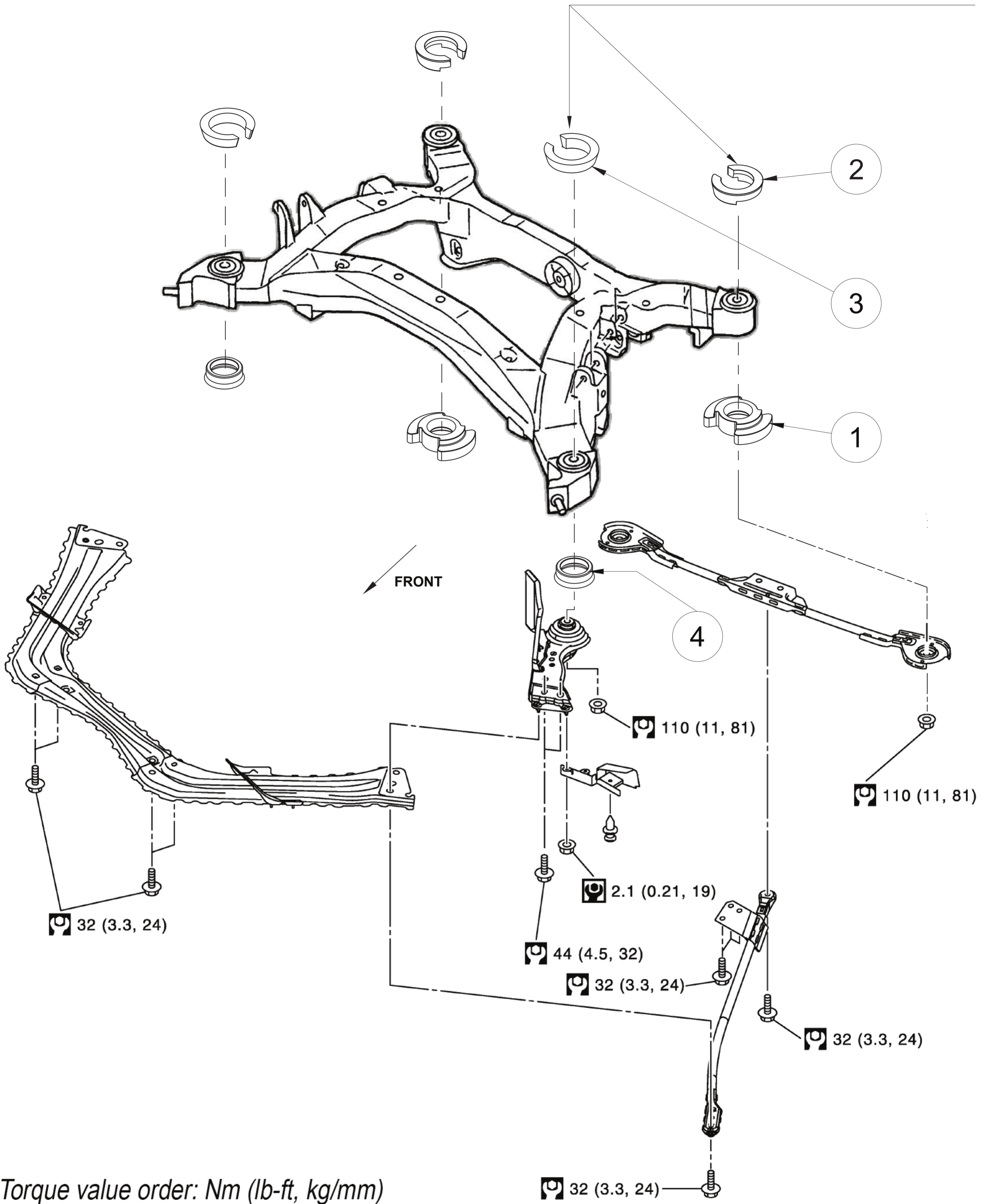


Z34X-SUBC

TOP INSERTS MUST BE ORIENTATED IN THIS DIRECTION
ENSURE THEY DROP INTO AND SEAT WITHIN THE OEM BUSH



Torque value order: Nm (lb-ft, kg/mm)

4	2	Z34 FRONT LOWER INSERT
3	2	Z34 FRONT UPPER INSERT
2	2	Z34 REAR UPPER INSERT
1	2	Z34 REAR LOWER INSERT
Item	Qty	Description
PARTS LIST		

** INSTALL WILL BE AIDED BY THE USE OF GREASE TO LUBRICATE THE INSERTS **